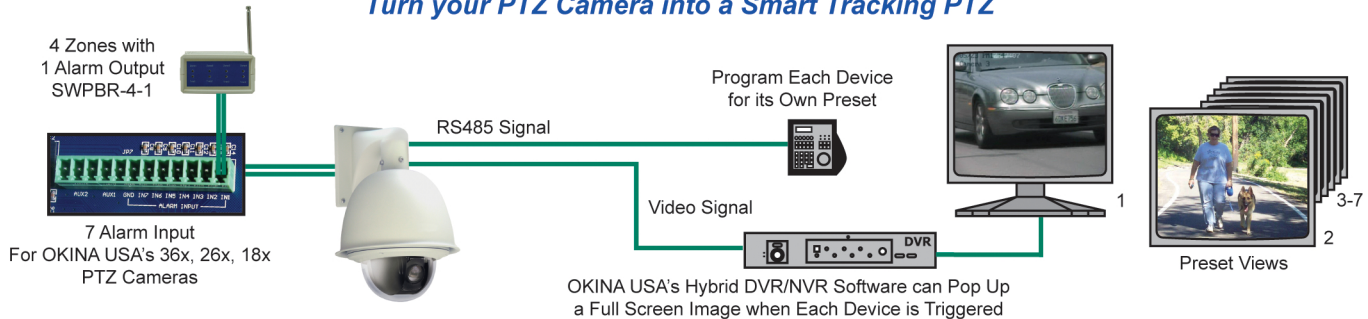
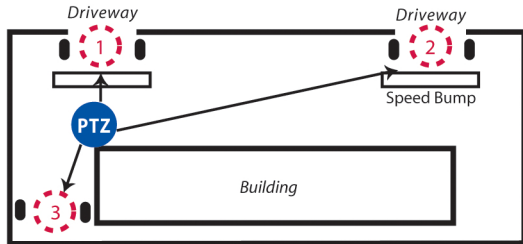


Turn your PTZ Camera into a Smart Tracking PTZ



Floorplan Diagram Application for 3 Solar Wireless Photobeam Devices



Zone 1 Device to Alarm Input 1 -> Set to Preset 1
 Zone 2 Device to Alarm Input 2 -> Set to Preset 2
 Zone 3 Device to Alarm Input 3 -> Set to Preset 3
 Max Input up to 7 Devices/Alarm Input

***NOTE: A Speed Bump is Recommended because it slows the vehicle's speed, giving the PTZ camera enough time to focus on the license plate or others**