



**T9B2-V036**



## FEATURES

---

- **HD TVI 3MP EXIR IR Bullet Camera**
- 2052 x 1536 @ 18fps
- 3.6mm Fixed Lens
- 0.01 Lux @ F1.2 (AGC ON), 0 Lux with IR
- IR distance up to 120ft / 37m
- Mechanical IR Cut Filter (ICR)
- OSD Menu, UTC Control via DVR
- True WDR, 3D DNR
- Up to 1,200ft with RG59U 95% Coax Cable
- 5W
- 12V DC
- IP66 Weather Proof

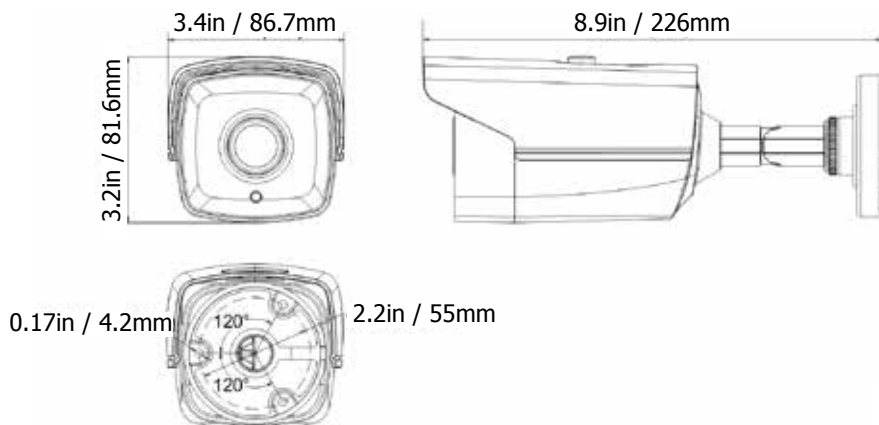
## SPECIFICATIONS

**PIC: TVI-96**

<b>Product Code</b>	<b>T9B2-V036</b>
<b>Signal System</b>	NTSC / PAL
<b>Image Sensor</b>	3MP CMOS
<b>Effective Pixels</b>	2052 (H) x 1536 (V)
<b>Video Frame Rate</b>	2052 x 1536 @ 18fps
<b>HD Video Output</b>	1 HD-TVI Output up to 1200ft with RG95U 95%
<b>Shutter Time</b>	1/25 ~ 1/50,000 seconds
<b>Minimum Illumination</b>	0.01 Lux @ F1.2 (AGC ON), 0 Lux with IR
<b>Day &amp; Night</b>	Built-in Mechanical IR Cut Filter (ICR)
<b>IR Distance</b>	120ft / 37m
<b>Lens Type</b>	3.6mm (2.8mm optional)
<b>Adjustment Range</b>	Pan: 0 ~ 360°, Tilt: 0 ~ 90°, Pan: Rotation: 0 ~ 360°
<b>CVBS Output</b>	N/A
<b>WDR</b>	120dB True WDR
<b>Functions</b>	WDR, DNR, Mirror, Smart IR
<b>White Balance</b>	ATW / MWB
<b>Communication</b>	OSD (UTC Control) via DVR
<b>Power Source</b>	12V DC
<b>Power Consumption</b>	5W Max.
<b>Rating</b>	IP66
<b>Operating Temperature</b>	-40°F ~ 140°F / -40°C ~ 60°C
<b>Humidity</b>	90% or less (non-condensing)
<b>Dimension</b>	3.39 x 3.23 x 8.67 inches / 86 x 82 x 220 mm
<b>Net Weight</b>	1.5lbs / 0.68kg

\*Specifications and appearance are subject to change without notice.

## DIAGRAM



## OPTIONAL ACCESSORIES



**BK-113**