



T9VD-V4Z



FEATURES

- **HD TVI 3MP Outdoor Motorized Dome Camera**
- 2052 x 1536 @ 18fps
- 2.8 ~ 12 mm @ F1.2 Motorized Vari-Focal Lens
- 0.01 Lux @ F1.2 (AGC ON), 0 Lux with IR
- IR distance up to 90ft / 27m
- Mechanical IR Cut Filter (ICR)
- OSD Menu, UTC Control via DVR
- True WDR, 3D DNR
- Up to 1,200ft with RG59U 95% Coax Cable
- 6W
- 12V DC, 24V AC
- IP66 Weather Proof

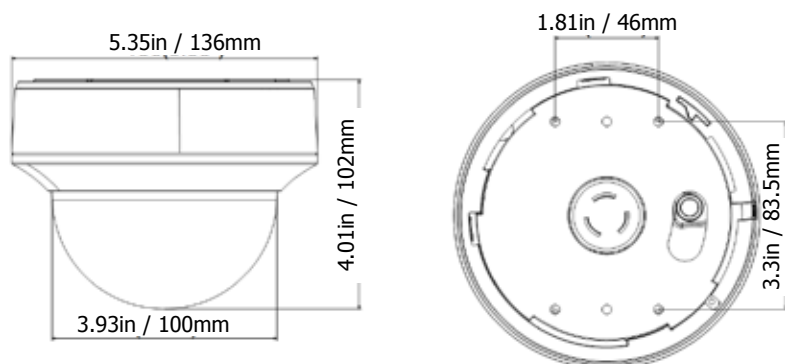
SPECIFICATIONS

PIC: TVI-94

| | |
|------------------------------|--|
| Product Code | T9VD-V4Z |
| Signal System | NTSC / PAL |
| Image Sensor | 3MP CMOS |
| Effective Pixels | 2052 (H) x 1536 (V) |
| Video Frame Rate | 2052 x 1536 @ 18fps |
| HD Video Output | 1 Analog HD Output |
| Shutter Time | 1/25 ~ 1/50,000 seconds |
| Minimum Illumination | 0.01 Lux @ F1.2 (AGC ON), 0 Lux with IR |
| Day & Night | Built-in Mechanical IR Cut Filter (ICR) |
| IR Distance | 90ft / 27m |
| Lens Type | 2.8 ~ 12 mm @ F1.2 Motorized, Angle of view: 92° ~ 32° |
| D/N Mode | Color / BW / Smart |
| CVBS Output | N/A |
| S/N Ratio | More than 62dB |
| ACG | Supported |
| White Balance | ATW, MWB |
| BLC | Supported |
| Communication | Up the coax (need UTC controller), Protocol: Pelco-C (Coaxitron) |
| WDR | 120dB True WDR |
| Synchronization | Internal Synchronization |
| Power Source | 12V DC, 24V AC |
| Power Consumption | 6W Max. |
| Rating | IP66 |
| Operating Temperature | -40°F ~ 140°F / -40°C ~ 60°C |
| Humidity | 90% or less (non-condensing) |
| Dimension | 5.35 x 4.02 inches / 136 x 102 mm |
| Net Weight | 1.32lbs / 14.5kgs |

*Specifications and appearance are subject to change without notice.

DIAGRAM



OPTIONAL ACCESSORIES

