



**T9D1-V028**



## FEATURES

---

- **HD TVI 3MP IR Turret Camera**
- 2052 x 1536 @ 18fps
- 2.8mm Fixed Lens
- 0.01 Lux @ F1.2 (AGC ON), 0 Lux with IR
- IR distance up to 60ft / 18m
- Mechanical IR Cut Filter (ICR)
- OSD Menu, UTC Control via DVR
- True WDR, 3D DNR
- Up to 1,200ft with RG59U 95% Coax Cable
- 5W
- 12V DC  $\pm$  10%
- IP66 Weather Proof

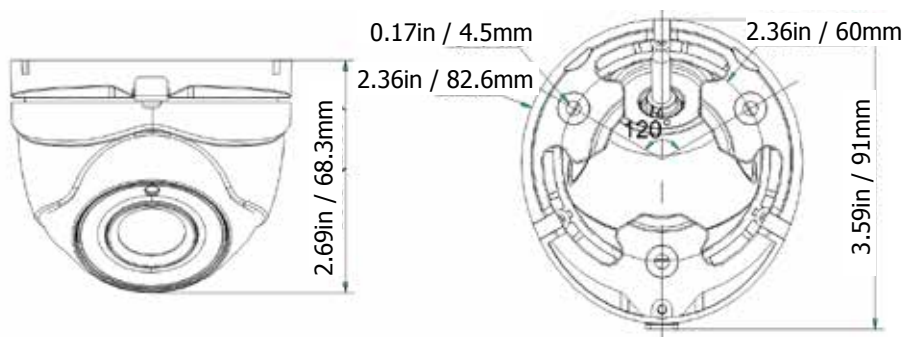
## SPECIFICATIONS

**PIC: TVI-90**

<b>Product Code</b>	<b>T9D1-V028</b>
<b>Signal System</b>	NTSC / PAL
<b>Image Sensor</b>	3MP CMOS
<b>Effective Pixels</b>	2052 (H) x 1536 (V)
<b>Video Frame Rate</b>	2052 x 1536 @ 18fps
<b>HD Video Output</b>	1 HD TVI Output
<b>Shutter Time</b>	1/30 ~ 1/50,000 seconds
<b>Minimum Illumination</b>	0.01 Lux @ F1.2 (AGC ON), 0 Lux with IR
<b>Day &amp; Night</b>	Built-in Mechanical IR Cut Filter (ICR)
<b>IR Distance</b>	60ft / 18m
<b>Lens Type</b>	2.8mm (3.6mm, 6mm optional), Angle of View: 80.9° (3.6mm), 103.5° (2.8mm), 54.3° (6mm)
<b>Angle Adjustment</b>	Pan: 0 ~ 360°, Tilt: 0 ~ 75°, Rotation: 0 ~ 360°
<b>D/N Mode</b>	Color / BW / Smart
<b>CVBS Output</b>	N/A
<b>Functions</b>	WDR, DNR, Mirror, Smart IR
<b>Communication</b>	OSD (UTC Control) via DVR
<b>WDR</b>	120dB True WDR
<b>Power Source</b>	12V DC ± 10%
<b>Power Consumption</b>	5W Max.
<b>IP Rating</b>	IP66
<b>Operating Temperature</b>	-40°F ~ 140°F / -40°C ~ 60°C
<b>Humidity</b>	90% or less (non-condensing)
<b>Dimension</b>	3.53 × 2.33 inches / 89.6 × 59.1 mm
<b>Net Weight</b>	0.88lb / 400g

\*Specifications and appearance are subject to change without notice.

## DIAGRAM



## OPTIONAL ACCESSORIES



**BK-113**