



T8XD24-VVF



FEATURES

- **HD TVI - 1930 x 1088 @ 30fps**
- 1/2.7" Progressive Scan CMOS
- 2.8~12mm Vari-Focal Lens
- 0.1 Lux @ F1.2 (AGC ON), 0 Lux with IR
- 24 IR LED
- IR distance up to 65ft / 20m
- Mechanical IR Cut Filter (ICR)
- Smart IR
- 4W
- 12V DC / 24V AC
- IP66 Rating

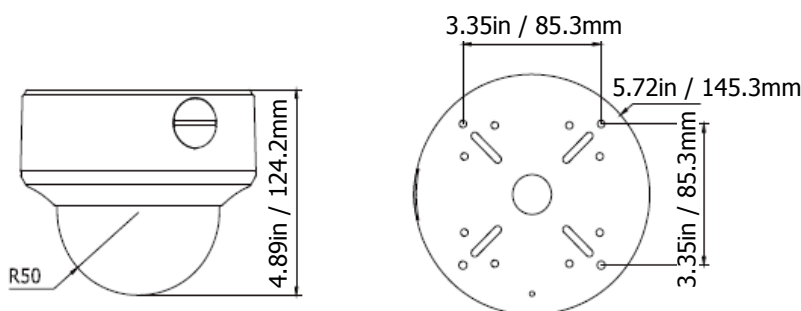
SPECIFICATIONS - Product Code: T8XD24-VVF

PIC: TVI-64

| | |
|------------------------------|--|
| Model | T8XD24-VVF |
| Signal System | NTSC / PAL |
| Image Sensor | 1/2.7" Progressive Scan CMOS |
| Horizontal Resolution | 2.0MP |
| Effective Pixels | 1930(H) x 1088(V) |
| Sync System | Internal |
| Video Frame Rate | NTSC: 1080P @ 30fps ; PAL: 1080P @ 25fps |
| HD Video Output | 1 Analog HD Output |
| S/N Ratio | More than 52dB |
| Electronic Shutter | NTSC: 1/30~1/50,000 sec. ; PAL: 1/25~1/50,000 sec. |
| Minimum Illumination | 0.1 Lux @ F1.2 (AGC ON), 0 Lux with IR |
| Day & Night | Built-in Mechanical IR Cut Filter (ICR) |
| IR LED | 24pcs IR |
| IR Distance | 65ft / 20m |
| Lens Type | 2.8~12mm Vari-Focal Lens (Angle of view: 102°~35°) |
| Camera ID | On / Off (0~255) |
| AGC | Support |
| D/N Mode | Color / BW / AUTO / EXT |
| White Balance | Auto/User/Push/8000K/6000K/4200K/3200K/HOLD |
| Privacy Mask | On/Off, maximum 2 zones |
| Motion Detection | On/Off, maximum 4 zones |
| BLC | Support |
| Anti-flicker | On / Off |
| Language | English, Chinese |
| Functions | Mirror |
| Power Source | 12V DC / 24V AC |
| Power Consumption | 4W Max. |
| IP Rating | IP66 |
| Operating Temperature | -40°F ~ 140°F / -40°C ~ 60°C |
| Humidity | 90% or less (non-condensing) |
| Dimension | 5.72(∅) x 4.89(H) inches / 145.3(∅) x 124.2(H) mm |
| Net Weight | 3.3 lbs / 1.5 kg |

*Specifications and appearance are subject to change without notice.

DIAGRAM



OPTIONAL ACCESSORIES

