



T8WD24-V036 3.6mm Lens

T8WD24-V028 2.8mm Lens



FEATURES

- **HD TVI - 1920 x 1080 @ 30fps**
- 1/3" Progressive Scan CMOS
- 3.6mm or 2.8mm Fixed Lens
- 0.1 Lux @ F1.2 (AGC ON), 0 Lux with IR
- 24 IR LED
- IR distance up to 65ft / 20m
- Mechanical IR Cut Filter (ICR)
- **True WDR, 3D DNR**
- 4W
- 12V DC
- IP66 Rating

HD TVI 1080P 2MP

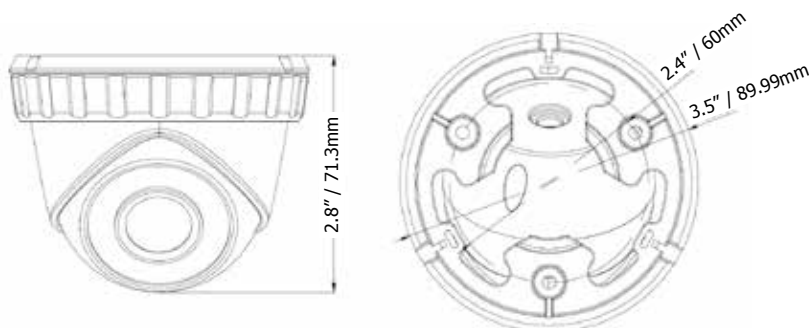
WDR 24 IR Dome Camera

SPECIFICATIONS - Product Code: T8WD24-V036 / T8WD24-V028 PIC: TVI-56 / 57

Model	T8WD24-V036	T8WD24-V028
Signal System	NTSC / PAL	
Image Sensor	1/3" Progressive Scan CMOS	
Horizontal Resolution	2.0MP	
Effective Pixels	1920(H) x 1080(V)	
Sync System	Internal	
Video Frame Rate	NTSC: 1080P @ 30fps ; PAL: 1080P @ 25fps	
HD Video Output	1 Analog HD Output	
S/N Ratio	More than 52dB	
Electronic Shutter	NTSC: 1/30~1/50,000 sec. ; PAL: 1/25~1/50,000 sec.	
Minimum Illumination	0.01 Lux @ (AGC ON), 0 Lux with IR	
Day & Night	Built-in Mechanical IR Cut Filter (ICR)	
IR LED	24pcs IR	
IR Distance	65ft / 20m	
Lens Type	3.6mm Fixed Lens (Angle of view: 80.9°)	2.8mm (Angle of view: 80.9°)
Scene	Indoor, Outdoor, Indoor1, LOW-LIGHT	
Camera ID	On / off (15 characters, position programmable)	
AGC	Support	
D/N Mode	Color / BW / EXT	
White Balance	ATW, AWC-SET, Indoor, Outdoor, Manual	
Privacy Mask	On / Off, maximum 8 zones	
Motion Detection	On / Off, maximum 4 zones	
BLC	Support	
Anti-flicker	On / Off	
Language	English, Japanese, CHN1, CHN2, Korean, German, French, Italian, Spanish, Polish, Russian, Portuguese, Dutch, Turkish, Hebrew and Arabic	
Functions	Eclipse, Digital noise reduction, Digital zoom(62x), Slow shutter, Mirror, Defog, Defect pixel correction, SMART D-ZOOM	
Power Source	12V DC	
Power Consumption	4W Max.	
IP Rating	IP66	
Operating Temperature	-40°F ~ 140°F / -40°C ~ 60°C	
Humidity	90% or less (non-condensing)	
Dimension	3.5(Ø) x 2.8(H) inches / 89.99(Ø) x 71.3(H) mm	
Net Weight	0.9 lbs / 0.4 kg	

*Specifications and appearance are subject to change without notice.

DIAGRAM



OPTIONAL ACCESSORIES



BK-113