



Please read the Manual before attempting to use this product.

Specifications and appearance are subject to change without notice.



CAUTION

**RISK OF ELECTRIC SHOCK
DO NOT OPEN!**



**TO REDUCE THE RISK OF ELECTRICAL SHOCK,
DO NOT OPEN COVERS (OR BACK).
NO USER SERVICEABLE PARTS INSIDE.
REFER SERVICING TO QUALIFIED
SERVICE PERSONNEL.**



Disposal of Old Electrical & Electronic Equipment (Applicable in the European Union and other European countries with separate collection systems).

This symbol on the product or on its packaging indicates that this product shall not be treated as household waste. Instead it shall be handed over to the applicable collection point for the recycling of electrical and electronic equipment. By ensuring this product is disposed of correctly, you will help prevent potential negative consequences for the environment and human health, which could otherwise be caused by inappropriate waste handling of this product. The recycling of materials will help to conserve natural resources. For more detailed information about recycling of this product, please contact your local city office, your household waste disposal service or the shop where you purchased the product.

CAUTION

1. Never point the camera toward the sun

Do not expose the lens directly to the sun or to strong light as this may damage the pick-up device.

2. Handle this camera with care

Avoid any shock or bumping of the camera. Improper handling could damage the camera.

3. Requires a proper operating environment

This camera is designed for indoor use. The allowable temperature range for operation of this camera is between 14°F ~ 122°F / -10°C ~ 50°C.

4. Clean the front face or lens

It is recommended that the surface be cleaned every 3~6 months. Cleaning should be done by using a chamois, a very fine soft cloth, lens tissue, or cotton tipped applicator and ethanol to carefully remove any fingerprint or dust.

5. Check the power source voltage

The power source voltage should be within the specified range. (Camera must meet the specifications). Camera must be connected to a surge protector at all times.

6. Objects and liquid entry

Never push objects of any kind into this camera as this may touch dangerous voltage points of short out parts that could result in a fire or electric shock. Never spill any kind of liquid on the video product.

7. Servicing

Do not attempt to service this video product by yourself as opening or removing covers may expose you to dangerous voltage or other hazards. Refer all service to qualified servicing personnel.

8. Damage requiring service

Unplug this video product from the wall outlet and refer service to qualified servicing personnel under the following conditions:

- a. When the power supply cord or plug is damaged.
- b. If liquid has been spilled, or objects have fallen into the video product.
- c. If the video product has been exposed to rain or water.
- d. If the video product has been dropped or the cabinet has been damaged.
- e. When the video product exhibits a distinct change in performance.

LIMITED WARRANTY

OKINA USA products are covered under warranty for one year from the date of purchase. The warranty will automatically be voided if any of the following occurs:

1. Camera sticker is removed

If the camera sticker is removed, we will not be able to confirm any information regarding when and where the product was purchased. We have no other way to verify the purchase record without the serial number on the camera sticker; therefore, it should not be removed.

2. Camera is modified in any way

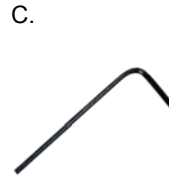
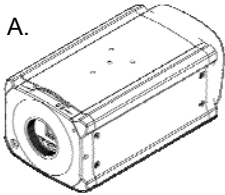
If the camera is scratched, damaged, or modified in a manner not described in this manual, the warranty will be voided immediately. It is the customer's responsibility to keep the camera in good condition.

3. Video or power cable is cut

The video cable and the power cable should not be tampered with. Cutting or modifying of the cables will result in termination of the warranty.

PACKAGE CONTENTS

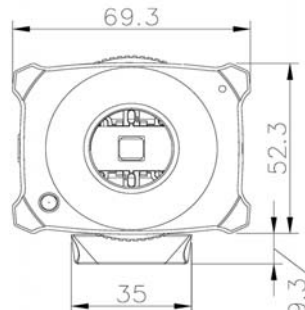
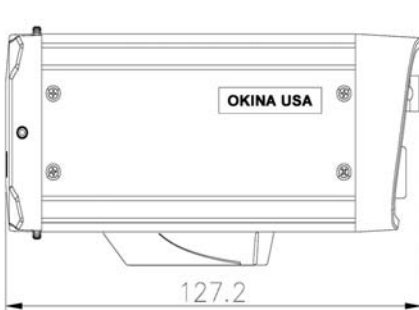
- A. One (1) DNR Vandal Proof Box Camera with power/video cable
- B. One (1) Remote Control
- C. One (1) Allen Wrench
- D. One (1) Motion Relay Output Wire
- E. One (1) IRIS Connector
- F. One (1) User Manual



4 Refer to #4 on page 5 for details

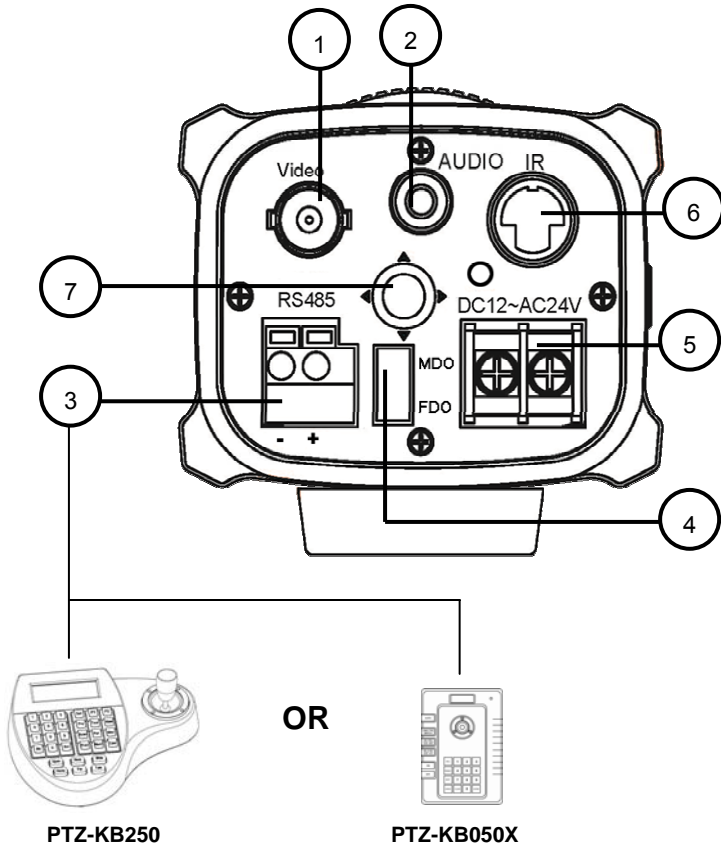
* For any returns, please include all components listed above with original packaging in **Resalable Condition**. **Absolutely No Returns** will be accepted if any component is missing/damaged.

DIMENSION



Unit: mm

REAR PANEL



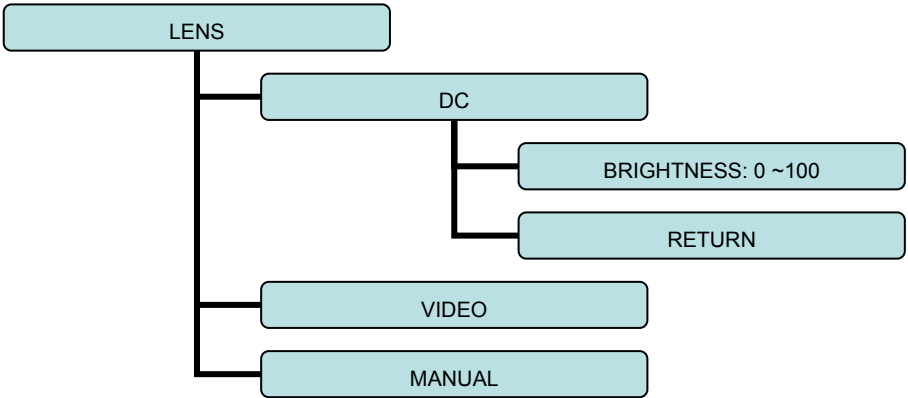
1. Video Output
2. Audio Output
3. RS485, +/- – **See page 12 for PTZ controller key combination to call up OSD menu, page 11 for OSD setting, and page 10 for wire & cable**
4. MDO, Motion Detect Relay Output
 - a. Black & Brown = for External Alarm Device.
Set up on OSD Menu: Special → Motion → Motion View: On/Off
See page 11 for OSD setting and page 8 for application diagram
 - b. Red & Orange = not working for this model
5. 12V DC~24V AC, dual power
6. External IR (optional) – **See page 15 for more details**
7. On-Screen Display (OSD) Control

OPERATION

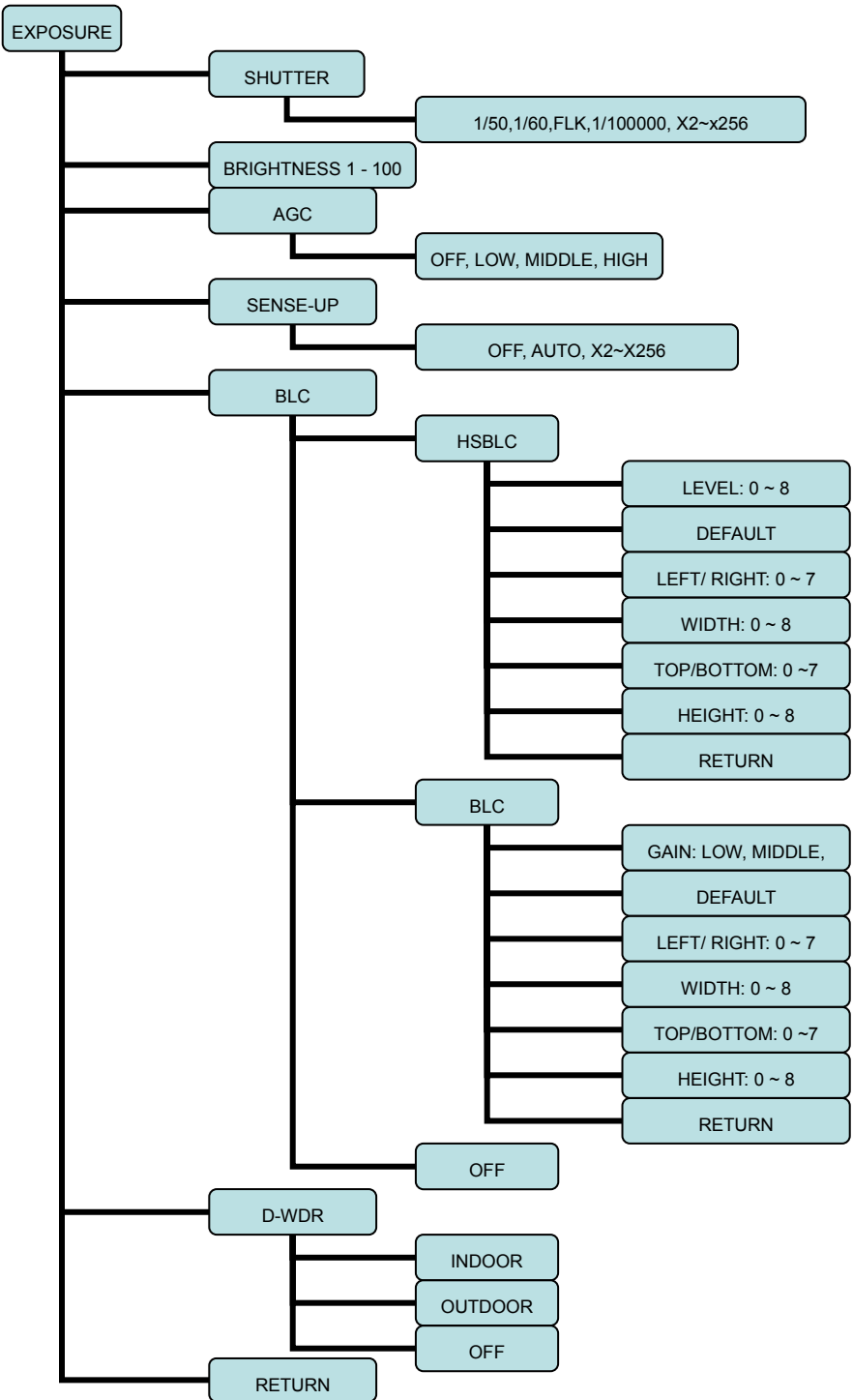
OSD Button (Menu):



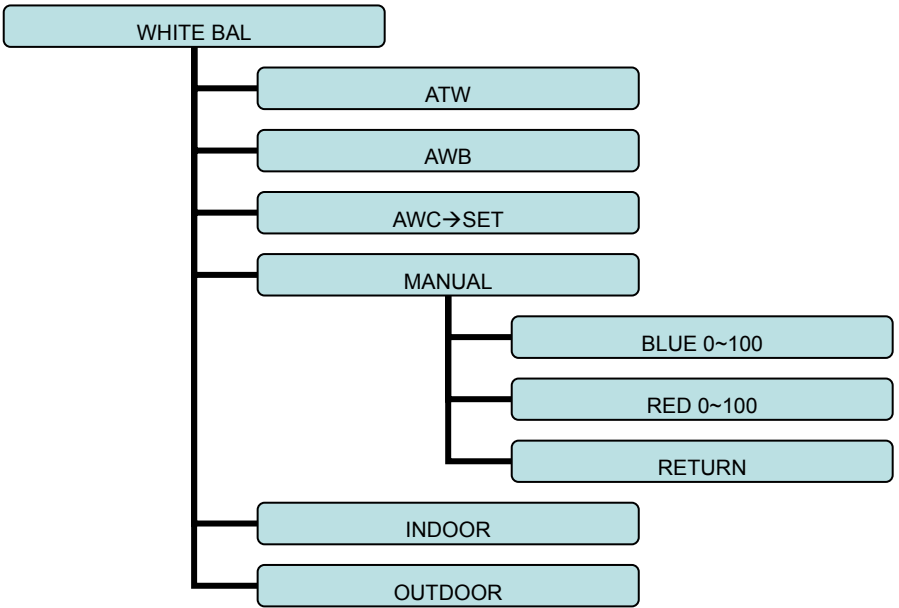
1. **LENS menu:** Select DC LENS, VIDEO DRIVE LENS or MANUAL IRIS LENS model



2. **EXPOSURE menu:** User can adjust electronic shutter speed, brightness (only for manual iris lens), auto gain control, sensitivity-up level, back light compensation (BLC) & Highlight Suppression (HSBLC) adjust and Digital WDR.



3. **WHITE BAL menu:** User can adjust white balance effect for Auto Tracking White balance (ATW), Auto White Balance (AWB), and indoor or outdoor environment.

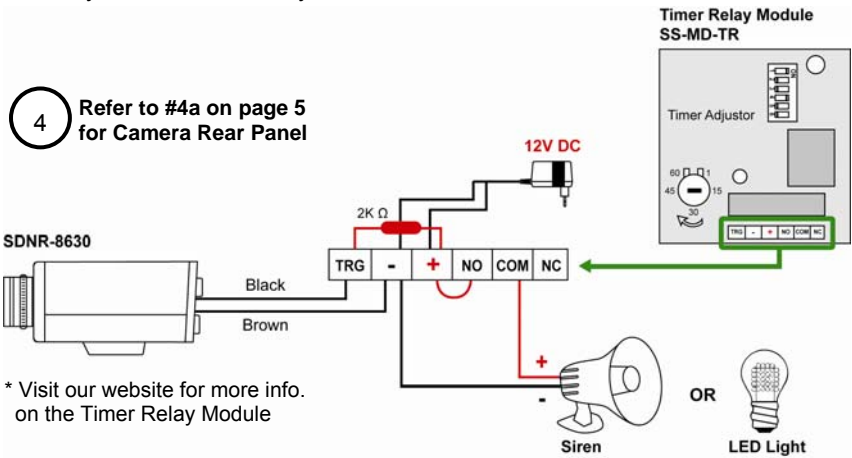


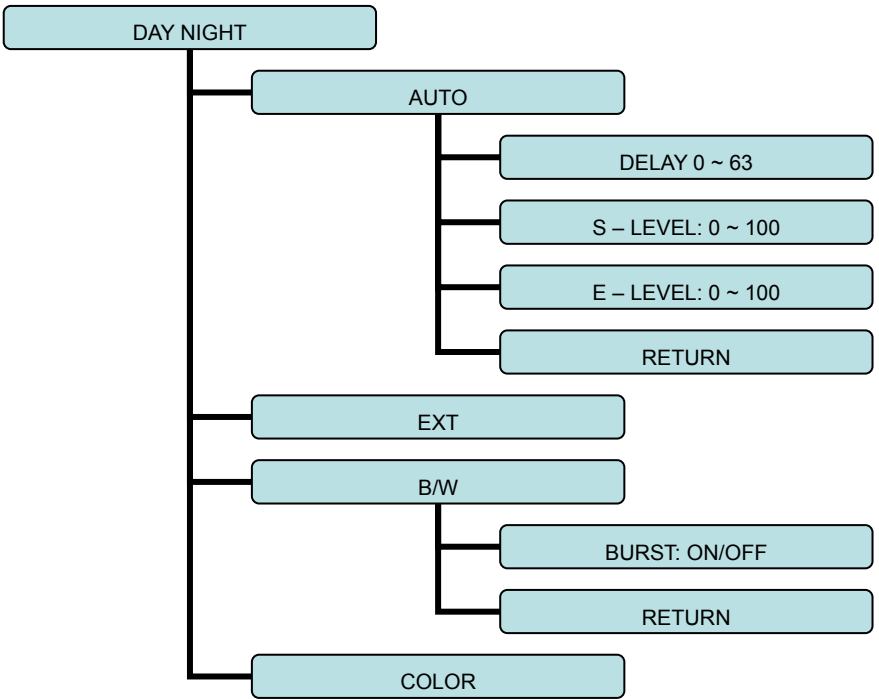
4. **DAY NIGHT menu:** User can adjust camera auto change threshold with day and night level to change Color or Black/White mode and force assign Color or Black/White type.

Application Diagram:

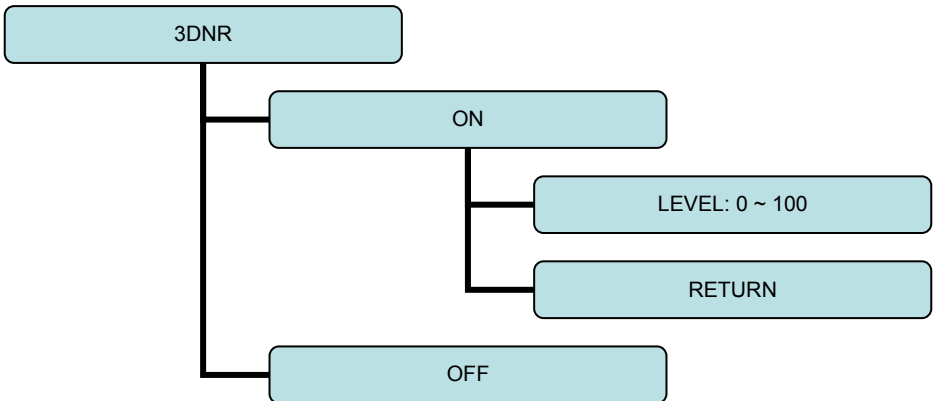
Motion Detect Relay Output for External Alarm Device Normally Close – No Polarity

4 Refer to #4a on page 5 for Camera Rear Panel





5. **3DNR menu:** User can adjust 3-Digital Noise Reduction level to improve night environment effect.



6. **SPECIAL menu:** User can setup Camera title, Digital effect (Freeze, Mirror, V-FLIP,

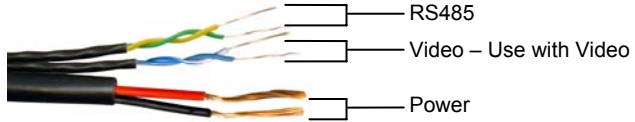
Rotate, D-ZOOM, GAMMA), RS485 which is very useful to connect test monitor, DVR or keyboard to do the camera setting (Gamma ratio, Negative image effect, Motion detection, Privacy mask and language choice). SYNC INT is only in 12V DC power source. SYNC INT and L/L (line lock) are in 24V AC.

TIP

NOTE: All products in this section are not OKINA USA's products. Please contact us for more info. and referral.

For New Installations:

- 1. **US Wire Cable** CCTV Balun Cable – 2 Pair UTP 24AWG with Power 18/2
24/4-18/2-Z-9B-500



- 2. **UTP Balun** Passive Video Balun with Video, Power & Data
VPB111RJ



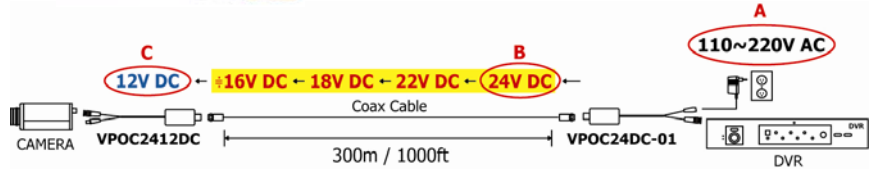
Using Existing Coax & Power 18/2 to add RS485:

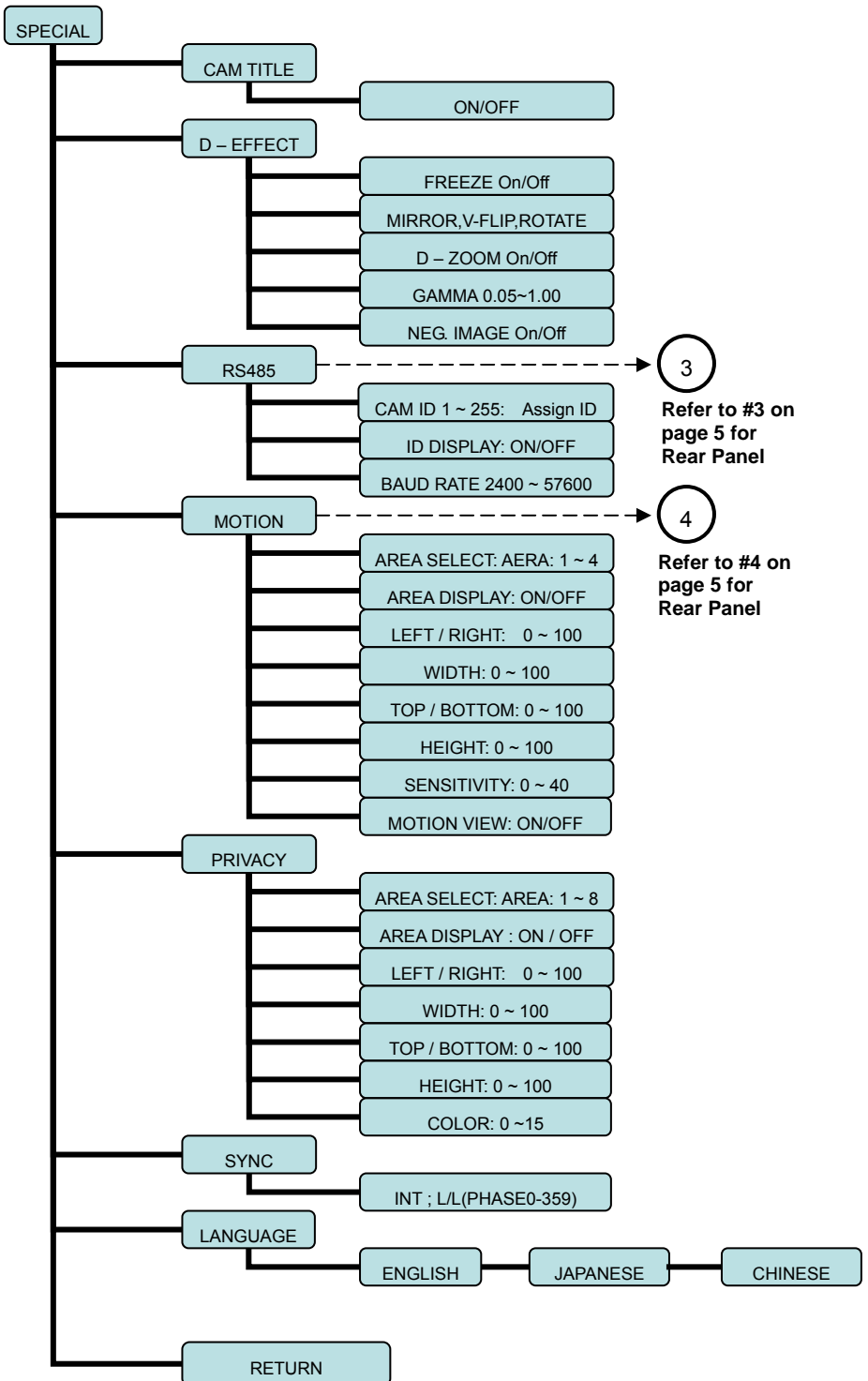
- 3. **AAS Video Power Over Coax – Power Guarantee 12V DC Series**

VPOC2412DC Camera Side
VPOC24DC-01 1 CH



A = Input 110~220V AC
B = Output 24V DC
C = Input 12V DC





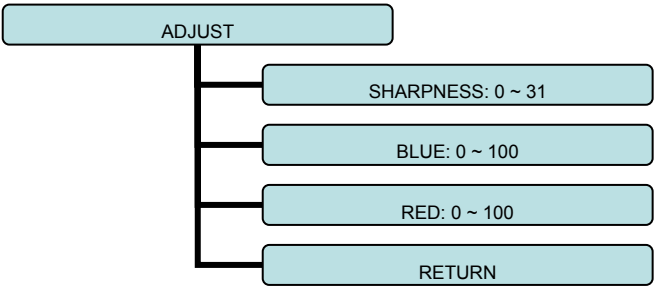
SPECIAL menu (continued): User can setup Camera title, Digital effect (Freeze, Mirror, V-FLIP, Rotate, D-ZOOM, GAMMA), RS485 which is very useful to connect test monitor, DVR or keyboard to do the camera setting (Gamma ratio, Negative image effect, Motion detection, Privacy mask and language choice). SYNC INT is only in 12V DC power source. SYNC INT and L/L (line lock) are in 24V AC. The key combination to enter the camera's OSD menu with OKINA USA's RS485 PTZ controller PTZ-KB250X is SET + 95 + PRESET and for PTZ-KB050X is PRESET+95+ENTER.

! The protocol must be set to Pelco-D (not P)

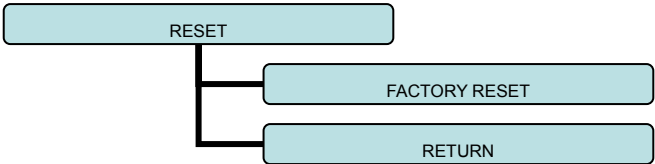
For other RS485 PTZ controllers, the key combination may be different. If you have trouble accessing the camera OSD, first check the wiring for polarity and continuity, then please call our tech support line at (800) 872-9907 and have the model numbers of your RS485 PTZ controller and camera available. Note that there are a lot of different RS485 PTZ controllers in the market, so our tech support staff is limited to only a few brands. The best option is to use OKINA USA's RS485 PTZ controllers.

RS485 PTZ Controller Key Combination to Enter OSD Menu		
1.	PTZ-KB250X	SET + 95 + PRESET
2.	PTZ-KB050X	PRESET + 95 + ENTER

7. ADJUST menu: User can adjust camera sharpness and color parameter.



8. RESET menu: User can reset camera setting back to factory default.



9. EXIT menu: Exit OSD menu.

SPECIFICATION

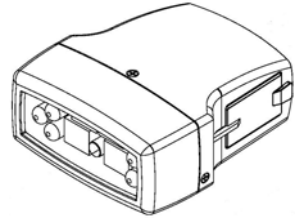
Model	SDNR-8630	SDNR-8630P
System	NTSC	PAL
Image Sensor	1/3" Sony Super HAD CCD II	
DSP	NVP2170 DN High End ASIC Solution	
Total Pixel	811(H) x 508(V)	795(H) x 596(V)
Synchronizing System	Internal / Line Lock	
Resolution	630 TV Lines	
Scanning System	2:1 Interlace	
Minimum Illumination	0.1 Lux (50 IRE @ F1.4) , 0.00039 (Sens-up, 256X)	
S/N Ratio	More than 50db (AGC OFF)	
WDR Function	Indoor / Outdoor / OFF	
Digital Noise Reduction (DNR)	3 DNR; ON / OFF(0~100)	
Day & Night	Auto / B/W / Color / EXT	
Digital Zoom	ON / OFF (0~32x)	
Auto Gain Control	Low / Middle / High / OFF	
White Balance	AWB / AWC-SET / MANUAL / INDOOR / OUTDOOR / ATW	
Back Light Compensation	BLC / HSBL / OFF	
Picture Adjust	Sharpness / CB_Gain / CR_Gain (level adjustable)	
Electronic Shutter	Auto 1/60 ~ 1/100,000 sec / Flk X2~X256	Auto 1/50 ~ 1/100,000 sec / Flk X2~X256
Video Output	1.0 Vp-p / 75 ohm composite (BNC)	
Audio Output	RCA	
Camera Title	ON / OFF	
Sens-Up	ON / OFF (Selectable limit ~ 256X)	
Picture Effect	Freeze / Mirror / flip / 180° rotate / D-zoom / Gamma / Neg. image	
Alarm Relay Out	NO + COM	
OSD Control	Button / Remote controller / RS485 Control keyboard / Communication Pelco D	
OSD Language	ENGLISH, CHINESE, JAPANESE	
Mechanical IR Cut Filter (ICR)	Auto / Day / Night	
Lens	Not Included	
Lens Type	C/CS, DC/Video	
Power Source	12V DC / 24V AC ± 10% / 1A	
Power Consumption	2.5W	
Power Current	230mA (Max)	
Operating Temperature	14°F ~ 122°F / -10°C ~ 50°C	
Storage Temperature	-4°F ~ 158°F / -20°C ~ 70°C	
Dimension	127.2(W) x 52.3(H) x 69.3(D) mm	
Weight	0.79 lbs / 360 g	

Specifications are subject to change without notice.

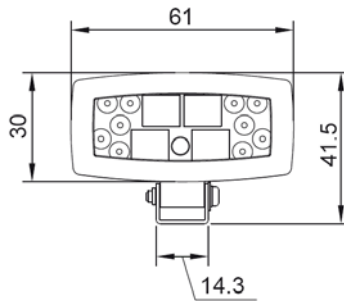
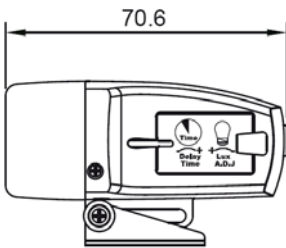
OPTIONAL EXTERNAL IR, SDNR-8IR14

FEATURES

- Total 14pcs IR LED: 4pcs Reflection & 10pcs 5Ø
- Parabolic reflected IR LEDs allow for even illumination of a shot on near and far objects
- Built-in Photodiode: **Cadmium Sulfide (CdS) cells** within the External IR controls the Mechanical IR Cut Filter (ICR) that's in the SDNR-8630 camera, allowing it to detect light. So when the CdS cells detect low light, the External IR is triggered and activates the camera's ICR to work simultaneously for best day and night images.
- External IR can be mounted above or below the camera and can be aimed high or low in the field of vision
- IR distance up to 100ft / 30m
- Can be used in different distance ranges and adjusts the IR high/low
- Light sensor trigger is adjustable for a range of lighting conditions
- Start delay can be set at different times

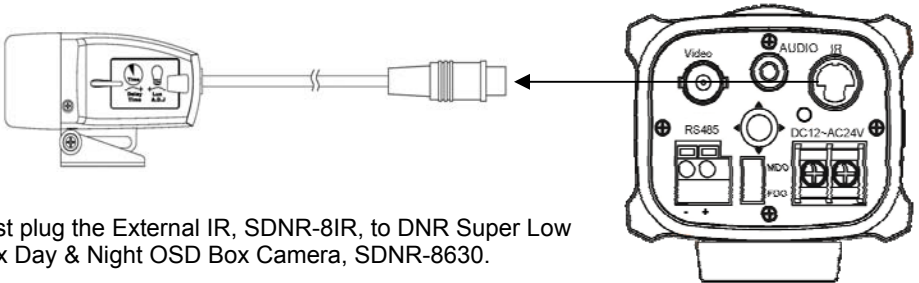


DIMENSION



Unit: mm

I/O CABLE



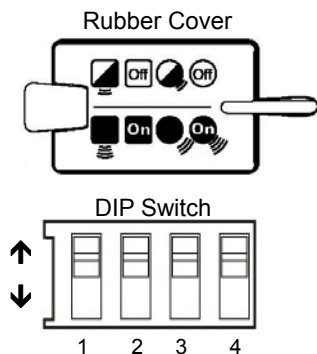
Just plug the External IR, SDNR-8IR, to DNR Super Low Lux Day & Night OSD Box Camera, SDNR-8630.



Accessory cable for other cameras.

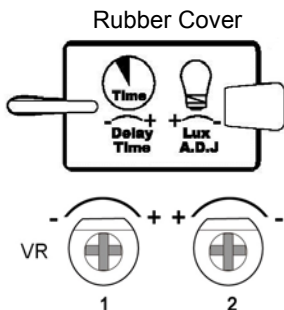
1. 12V DC, 1A input for IR power source.
2. 12V DC, 1A output for external device (camera) power.
3. External 5V trigger. Depends on camera brand's own mode.

SWITCHES



DIP Switch Settings

1. Reflection LED Power: low \uparrow / high \downarrow
2. Reflection LED: off \uparrow / on \downarrow
3. 5 Φ LED Power: low \uparrow / high \downarrow
4. 5 Φ LED Power: off \uparrow / on \downarrow

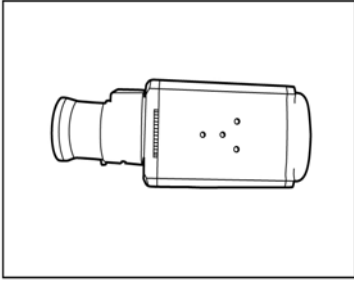


VR Switch Settings

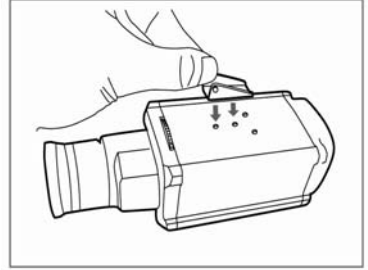
1. Day and night switch time delay adjust
2. Illumination (Lux) level adjust

INSTALLATION

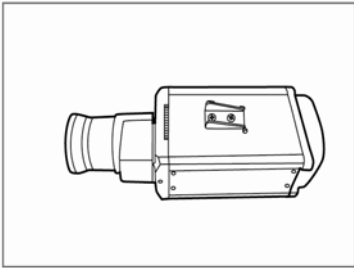
1. Determine the location of the External IR (top or bottom of camera body).



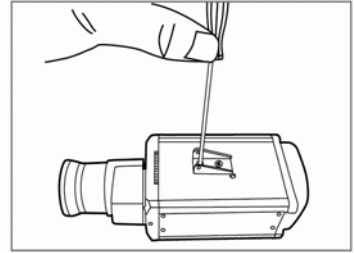
2. Put the tiny bracket on the screw base.



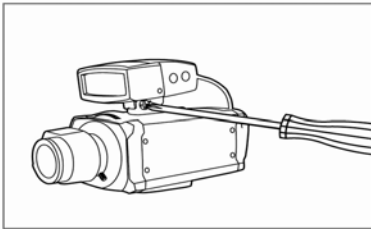
3. Center the bracket position according to the two holes.



4. Screw it tightly.



5. Take the External IR and attach it to the bracket with the small screw tie.



6. Adjust the External IR to desired position (forward or backward and up or down).

