

SS-T8FD24-V028



HD1080P WDR Vandal Proof EXIR Dome Camera



Key Features

- 2 Megapixel high-performance CMOS
- Analog HD output, up to 1080P resolution
- 2.8mm lens
- True Day/Night
- OSD menu, DNR, Smart IR
- True WDR, up to 120dB
- EXIR technology, up to 20m IR distance
- IP66 weatherproof & vandal proof
- Up the Coax(HIKVISION-C)

SS-T8FD24-V028

HD1080P WDR Vandal Proof EXIR Dome Camera

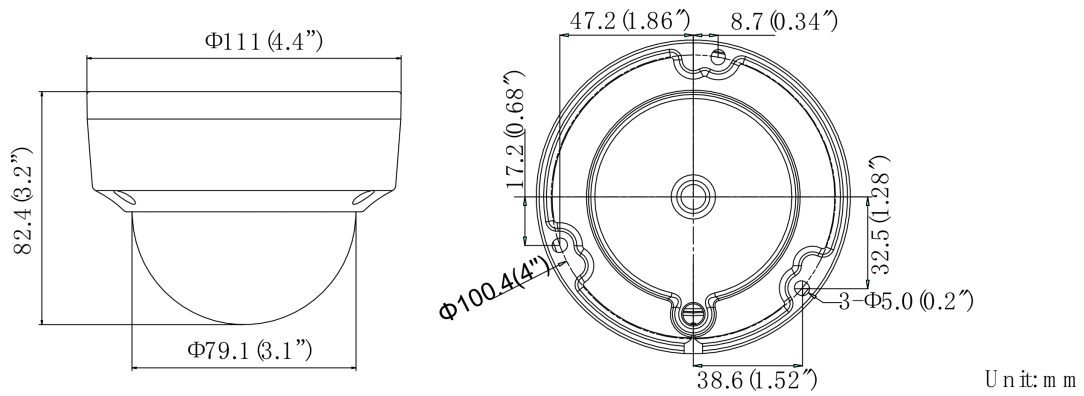
Specifications

Camera	
Image Sensor	2MP CMOS Image Sensor
Signal System	PAL/NTSC
Effective Pixels	1928(H)*1088(V)
Min. illumination	0.01 Lux @ (F1.2,AGC ON),0 Lux with IR
Shutter Time	1/25s to 1/50,000s
Lens	2.8mm @ F1.2
Lens Mount	M12
Day & Night	ICR
Angle Adjustment	Pan: 0° - 340°; Tilt:0° - 75°; Rotate: 0° - 355°
Synchronization	Internal Synchronization
WDR	120dB
Video Frame Rate	1080p@25fps/1080p@30fps
HD Video Output	1 Analog HD output
S/N Ratio	> 62dB
Menu	
AGC	Support
D/N Mode	Color/BW/SMART
White Balance	ATW/ MWB
BLC	Support
Functions	Wide Dynamic Range, Digital noise reduction, Mirror, SMART IR
General	
Operating Conditions	-40 °C – 60 °C (-40 °F – 140 °F), Humidity 90% or less (non-condensing)
Power Supply	12 VDC ± 15%
Power Consumption	Max. 5W
Protection Level	IP66
IR Range	Up to 20m
Impact Protection	IK10
Communication	Up the coax, Protocol: HIKVISION-C (TVI output)
Dimensions	φ111mm×82.5mm (φ0.43"×3.25")
Weight	Approx. 350g (0.77lb)

SS-T8FD24-V028

HD1080P WDR Vandal Proof EXIR Dome Camera

Dimensions



Accessories (Optional)



Inclined Ceiling Mounting



Pendant Mounting



Wall Mounting



Junction Box



Wall Mounting