

SS-T8B1-V040



HD1080p Bullet Camera



Key Features

- 2 megapixel high-performance CMOS
- Analog HD output, up to 1080p resolution
- True Day/Night
- OSD menu
- EXIR2.0, smart IR, up to 40m IR distance
- IP66 weatherproof

HD1080p Bullet Camera

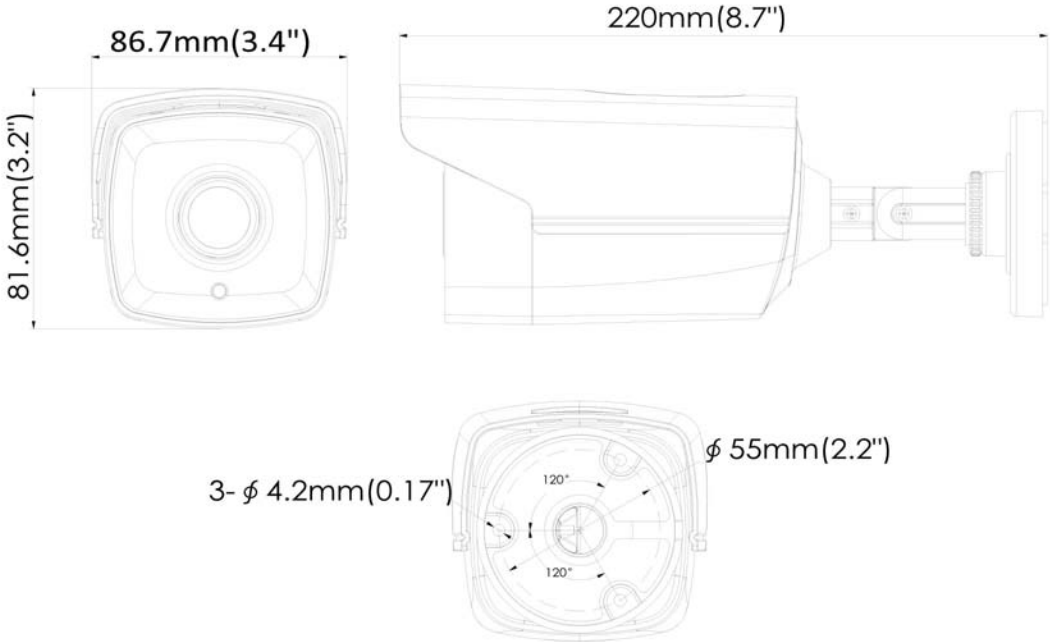
| Camera | |
|--------------------------|---|
| Image Sensor | 2MP CMOS Image Sensor |
| Signal System | PAL/NTSC |
| Frame Rate | PAL: 1080p@25fps NTSC: 1080p@30fps |
| Resolution | 1920 (H) × 1080 (V) |
| Min. illumination | 0.01 Lux @(F1.2, AGC ON), 0 Lux with IR |
| Shutter Time | 1/25(1/30)s to 1/50,000s |
| Lens | 2.8 mm, 3.6 mm fixed lens |
| Horizontal Field of View | 103 ° (2.8 mm), 82.2 ° (3.6 mm) |
| Lens Mount | M12 |
| Day & Night | IR cut filter |
| Angle Adjustment | Pan: 0 to 360°, Tilt: 0 to 180°, Rotation: 0 to 360° |
| Synchronization | Internal synchronization |
| Menu | |
| AGC | Low/middle/high |
| Day/Night Mode | Smart/color/BW(Black and White) |
| Backlight Compensation | Yes |
| DWDR | Yes |
| Language | English |
| Functions | Brightness, Sharpness, DNR, Mirror |
| Interface | |
| Video Output | 1 HD analog output |
| General | |
| Operating Conditions | -40 °C to 60 °C (-40 °F to 140 °F), Humidity 90% or less (non-condensing) |
| Power Supply | 12 VDC ±15% |
| Power Consumption | Max. 4 W |
| Ingress Protection | IP66 |
| Material | Metal |
| IR Range | Up to 40 m |
| Dimensions | 86.22 mm × 82.05 mm × 220.13 mm(3.39" × 3.23" × 8.67") |
| Weight | Approx. 430 g (0.95 lb.) |

SS-T8B1-V040



HD1080p Bullet Camera

Dimensions



Accessories



Junction box