



*Please read the Manual before attempting to use this product.
Specifications and appearance are subject to change without notice.*



CAUTION

**RISK OF ELECTRIC SHOCK
DO NOT OPEN!**



**TO REDUCE THE RISK OF ELECTRICAL SHOCK,
DO NOT OPEN COVERS (OR BACK).
NO USER SERVICEABLE PARTS INSIDE.
REFER SERVICING TO QUALIFIED
SERVICE PERSONNEL.**



Disposal of Old Electrical & Electronic Equipment (Applicable in the European Union and other European countries with separate collection systems).

This symbol on the product or on its packaging indicates that this product shall not be treated as household waste. Instead it shall be handed over to the applicable collection point for the recycling of electrical and electronic equipment. By ensuring this product is disposed of correctly, you will help prevent potential negative consequences for the environment and human health, which could otherwise be caused by inappropriate waste handling of this product. The recycling of materials will help to conserve natural resources. For more detailed information about recycling of this product, please contact your local city office, your household waste disposal service or the shop where you purchased the product.

CAUTION

1. Never point the camera toward the sun

Do not expose the lens directly to the sun or to strong light as this may damage the pick-up device.

2. Handle this camera with care

Avoid any shock or bumping of the camera. Improper handling could damage the camera.

3. Requires a proper operating environment

This camera is designed for indoor use. The allowable temperature range for operation of this camera is between 14°F ~ 122°F / -10°C ~ 50°C.

4. Clean the front face or lens

It is recommended that the surface be cleaned every 3~6 months. Cleaning should be done by using a chamois, a very fine soft cloth, lens tissue, or cotton tipped applicator and ethanol to carefully remove any fingerprint or dust.

5. Check the power source voltage

The power source voltage should be within the specified range. (Camera must meet the specifications). Camera must be connected to a surge protector at all times.

6. Objects and liquid entry

Never push objects of any kind into this camera as this may touch dangerous voltage points of short out parts that could result in a fire or electric shock. Never spill any kind of liquid on the video product.

7. Servicing

Do not attempt to service this video product by yourself as opening or removing covers may expose you to dangerous voltage or other hazards. Refer all service to qualified servicing personnel.

8. Damage requiring service

Unplug this video product from the wall outlet and refer service to qualified servicing personnel under the following conditions:

- a. When the power supply cord or plug is damaged.
- b. If liquid has been spilled, or objects have fallen into the video product.
- c. If the video product has been exposed to rain or water.
- d. If the video product has been dropped or the cabinet has been damaged.
- e. When the video product exhibits a distinct change in performance.

LIMITED WARRANTY

OKINA USA products are covered under warranty for one (1) year from the date of purchase. The warranty will automatically be voided if any of the following occurs:

1. Camera sticker is removed

If the camera sticker is removed, we will not be able to confirm any information regarding when and where the product was purchased. We have no other way to verify the purchase record without the serial number on the camera sticker; therefore, it should not be removed.

2. Camera is modified in any way

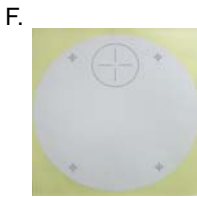
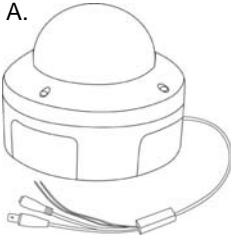
If the camera is scratched, damaged, or modified in a manner not described in this manual, the warranty will be voided immediately. It is the customer's responsibility to keep the camera in good condition.

3. Video or power cable is cut

The video cable and the power cable should not be tampered with. Cutting or modifying of the cables will result in termination of the warranty.

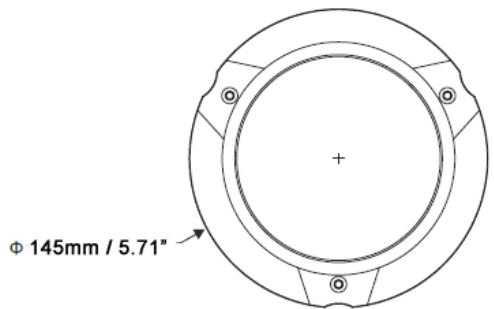
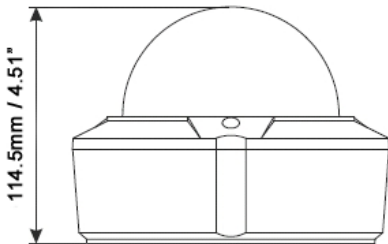
PACKAGE CONTENTS

- A. One (1) DNR Vandal Proof Dome Camera with power/video cable
- B. One (1) Allen Wrench
- C. Four (4) Mounting Screws
- D. Four (4) Wall Anchors
- E. Four (4) Screw Washers
- F. One (1) Mounting Sticker Template
- G. One (1) User Manual

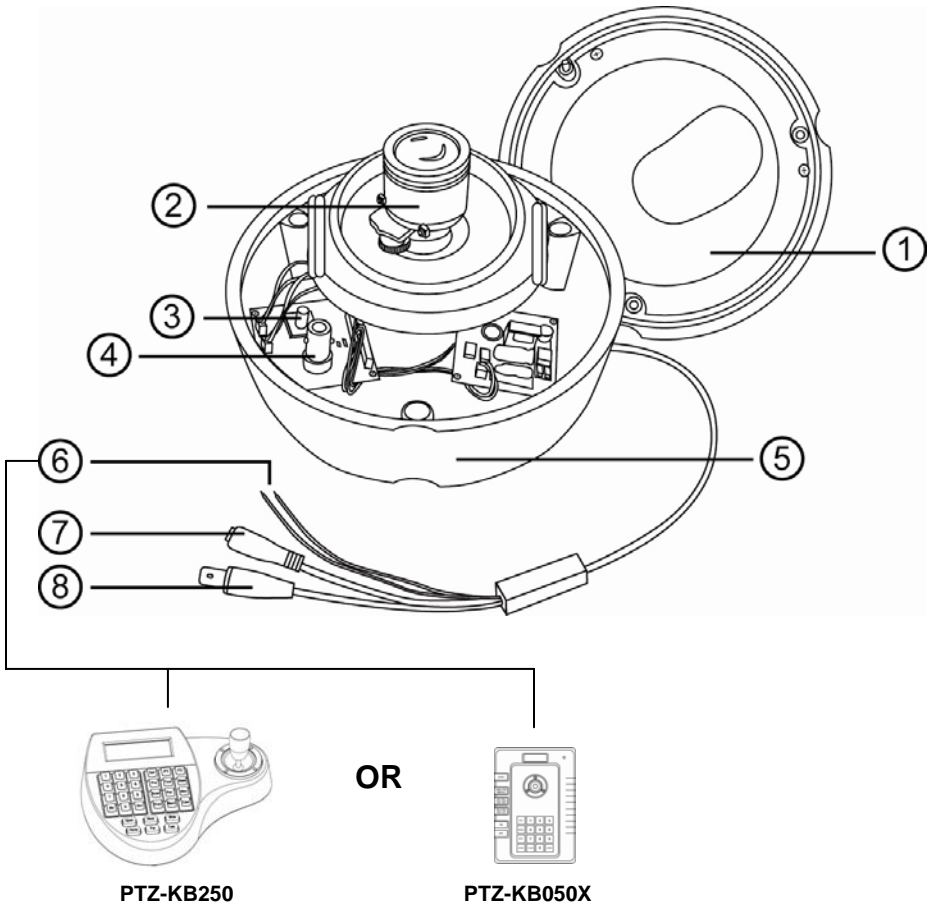


* For any returns, please include all components listed above with original packaging in **Resalable Condition**. **Absolutely No Returns** will be accepted if any component is missing/damaged.

DIMENSIONS



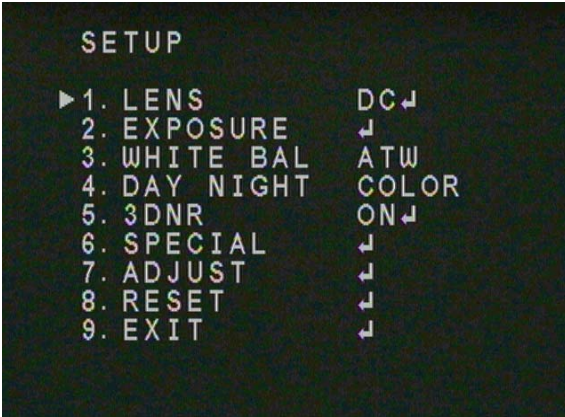
PARTS AND FUNCTIONS



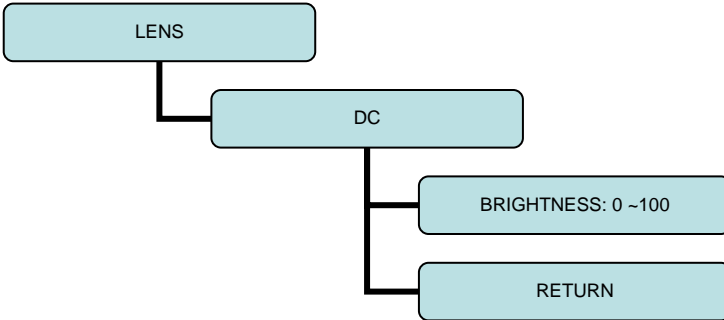
1. Cover
2. Lens
3. On-Screen Display (OSD) Control
4. RCA Video Output for Service Monitor
5. Base
6. RS485, +/- (+ Yellow / - Orange) – **See page 10 for PTZ controller key combination to call up OSD menu and page 11 for OSD setting**
7. Power In, 12V DC~24V AC
8. BNC Video Out

OPERATION

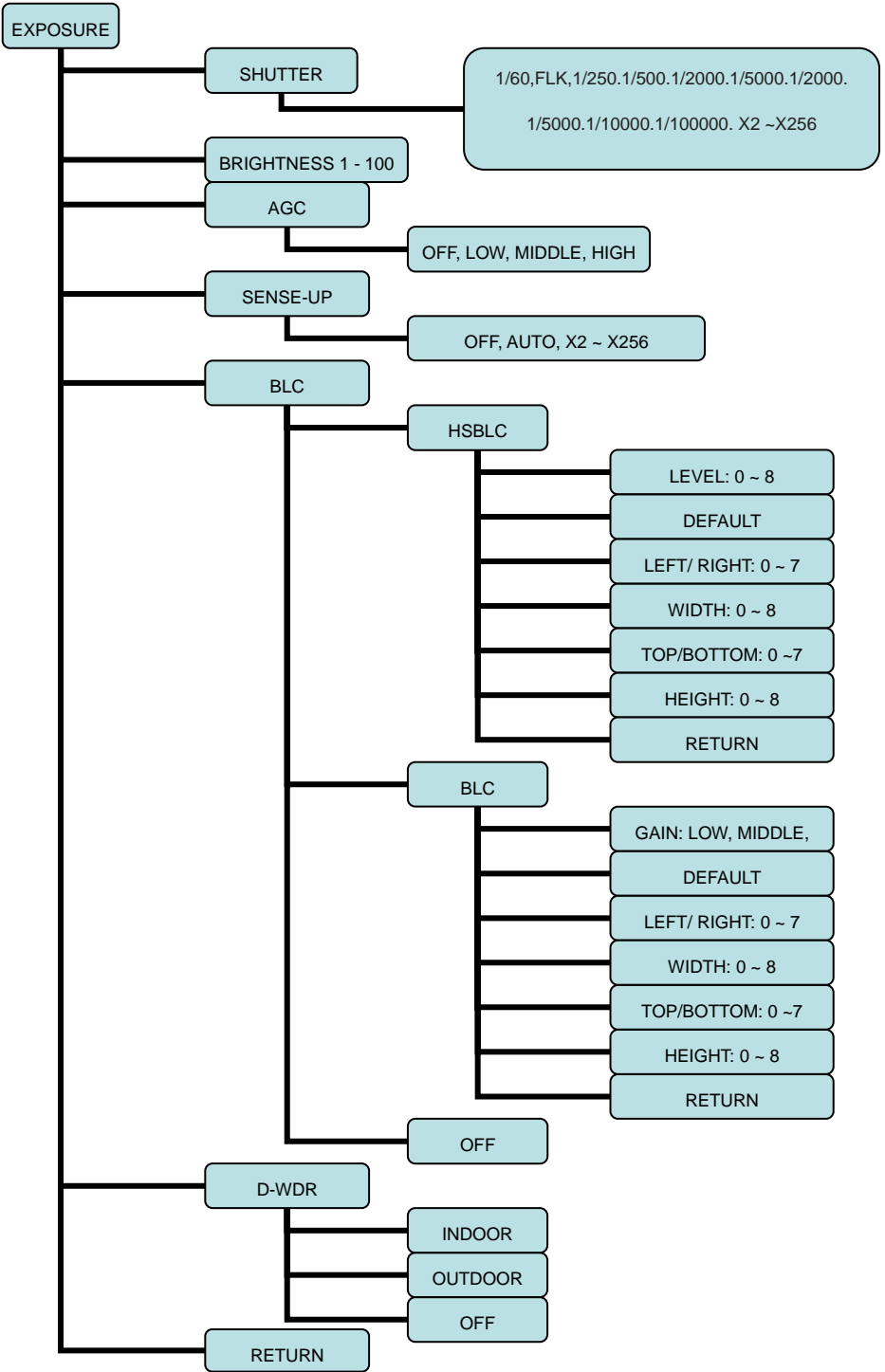
OSD Button (Menu):



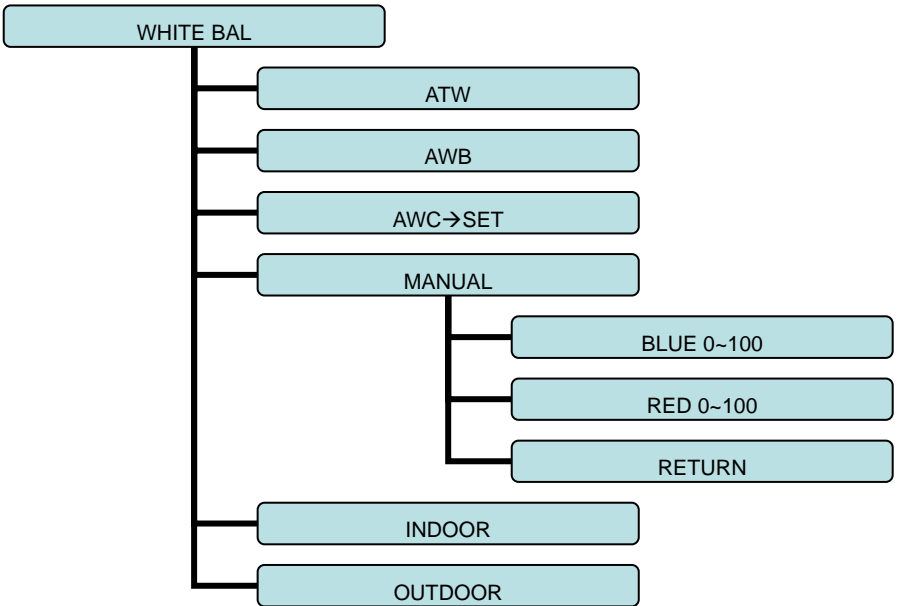
1. **LENS menu:** Select DC LENS.



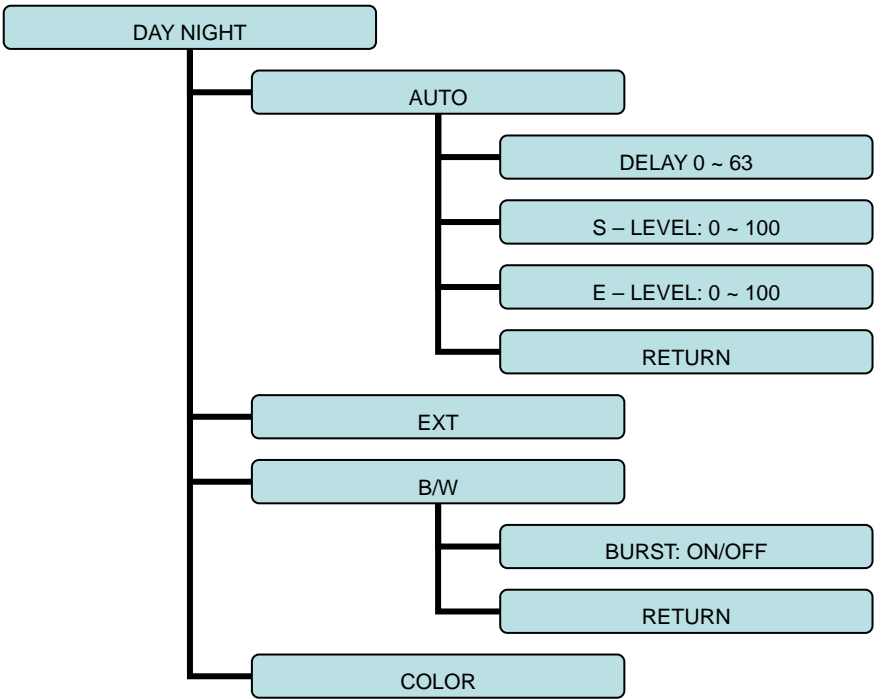
2. **EXPOSURE menu:** User can adjust electronic shutter speed, brightness (only for manual iris lens), auto gain control, sensitivity-up level, back light compensation (BLC) & Highlight Suppression (HSBLC) adjust and Digital WDR.



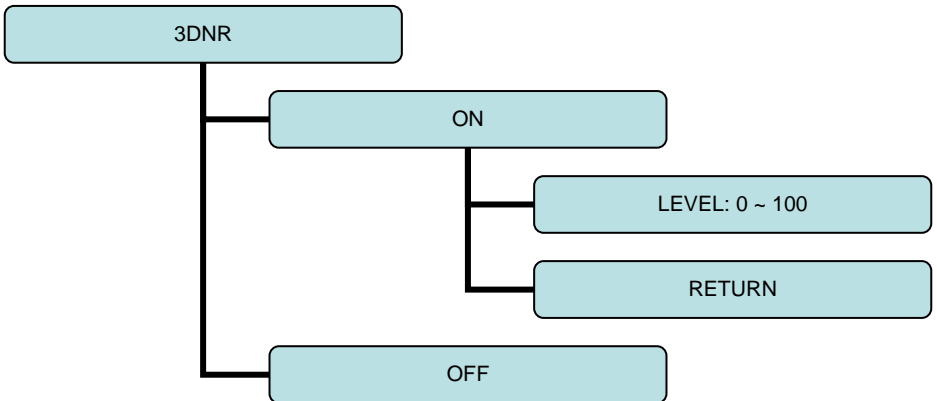
3. **WHITE BAL menu:** User can adjust white balance effect for Auto Tracking White balance (ATW), Auto White Balance (AWB), and indoor or outdoor environment.



4. **DAY NIGHT menu:** User can adjust camera auto change threshold with day and night level to change Color or Black/White mode and force assign Color or Black/White type.




5. **3DNR menu:** User can adjust 3-Digital Noise Reduction level to improve night environment effect.



6. **SPECIAL menu:** User can setup Camera title, Digital effect (Freeze, Mirror, V-FLIP,

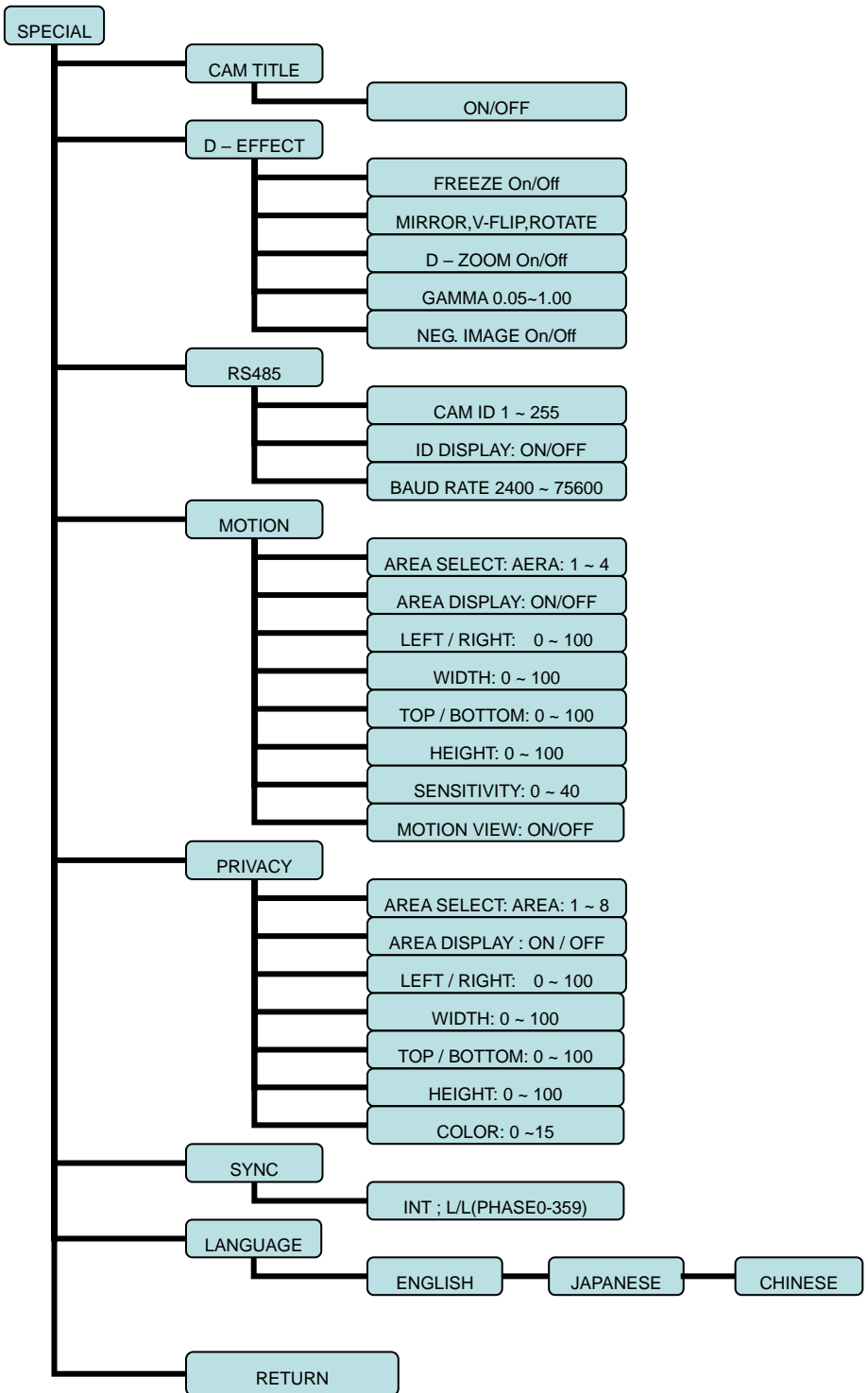
Rotate, D-ZOOM, GAMMA), RS485 which is very useful to connect test monitor, DVR or keyboard to do the camera setting (Gamma ratio, Negative image effect, Motion detection, Privacy mask and language choice). SYNC INT is only in 12V DC power source. SYNC INT and L/L (line lock) are in 24V AC.

The key combination to enter the camera's OSD menu with OKINA USA's RS485 PTZ controller PTZ-KB250X is SET + 95 + PRESET and for PTZ-KB050X is PRESET+95+ENTER.

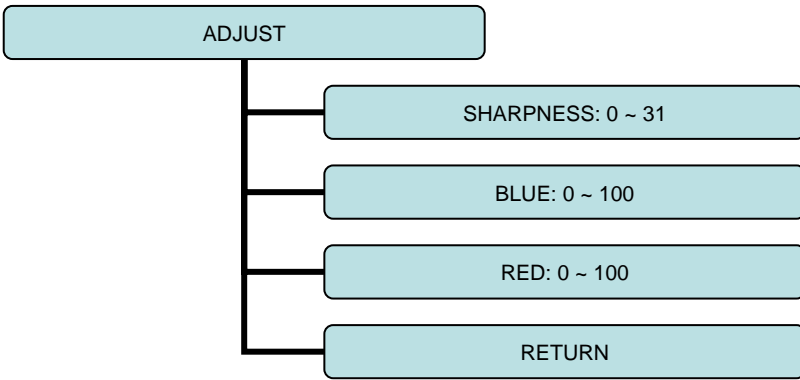
 **The protocol must be set to Pelco-D (not P)**

For other RS485 PTZ controllers, the key combination may be different. If you have trouble accessing the camera OSD, first check the wiring for polarity and continuity, then please call our tech support line at (800) 872-9907 and have the model numbers of your RS485 PTZ controller and camera available. Note that there are a lot of different RS485 PTZ controllers in the market, so our tech support staff is limited to only a few brands. The best option is to use OKINA USA's RS485 PTZ controllers.

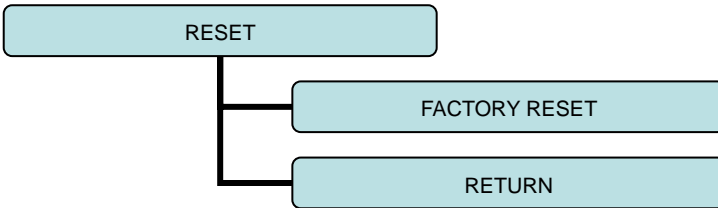
RS485 PTZ Controller Key Combination to Enter OSD Menu		
1.	PTZ-KB250X	SET + 95 + PRESET
2.	PTZ-KB050X	PRESET + 95 + ENTER



7. **ADJUST menu:** User can adjust camera sharpness and color parameter.



8. **RESET menu:** User can reset camera setting back to factory default.



9. **EXIT menu:** Exit OSD menu.

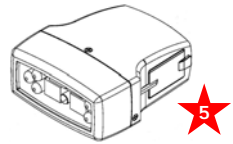
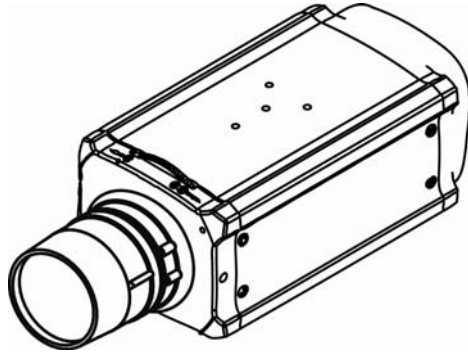
SPECIFICATION

Model	SDNX-863AI-VD	SDNX-863AI-VDP
System	NTSC	PAL
Image Sensor	1/3" Sony Super HAD CCD II	
DSP	NVP2170 DN High End ASIC Solution	
Total Pixel	811(H) x 508(V)	795(H) x 596(V)
Synchronizing System	Internal / Line Lock	
Resolution	630 TV Lines	
Scanning System	2:1 Interlace	
Minimum Illumination	0.1 Lux (50 IRE @ F1.4) , 0.00039 (Sens-up, 256X)	
S/N Ratio	More than 50db (AGC OFF)	
WDR Function	Indoor / Outdoor / OFF	
Digital Noise Reduction (DNR)	3 DNR; ON / OFF(0~100)	
Day & Night	Auto / B/W / Color / EXT	
Digital Zoom	ON / OFF (0~32x)	
Auto Gain Control	Low / Middle / High / OFF	
White Balance	AWB / AWC-SET / MANUAL / INDOOR / OUTDOR / ATW	
Back Light Compensation	BLC / HSBLC / OFF	
Picture Adjust	Sharpness / CB_Gain / CR_Gain (level adjustable)	
Electronic Shutter	1/60,FLK,1/250.1/500.1/2000. 1/5000.1/2000.1/5000 1/10000.1/100000. X2 ~X256	1/50,FLK,1/250.1/500.1/2000. 1/5000.1/2000.1/5000. 1/10000.1/100000. X2 ~X256
Video Output	1.0 Vp-p / 75 ohm composite (BNC) Service Monitor Output (RCA)	
Camera Title	ON / OFF	
Sens-Up	ON / OFF (Selectable limit ~ 256X)	
Picture Effect	Freeze / Mirror / flip / 180° rotate / D-zoom / Gamma / Neg. image	
OSD Control	Button / RS485 Control keyboard / Communication Pelco D	
OSD Language	ENGLISH, CHINESE, JAPANESE	
Mechanical IR Cut Filter (ICR)	Auto / Day / Night	
Lens	Auto Iris 2.8mm~12.0mm (ICR)	
IP Rating	IP66 Rating	
Power Source	12V DC / 24V AC ± 10% / 1A	
Power Consumption	2.5W	
Power Current	230mA (Max)	
Operating Temperature	14°F ~ 122°F / -10°C ~ 50°C	
Storage Temperature	-4°F ~ 158°F / -20°C ~ 70°C	
Dimension	5.71(Ø) x 4.51(H) inches / 145(Ø) x 114.5(H) mm	
Weight	2.13 lbs / 966 g	

* Specifications are subject to change without notice.

RELATED PRODUCT

DNR Super Low Lux Day & Night OSD Box Camera SDNR-8630



Optional External IR
SDNR-8IR

- 1/3" Sony Super HAD CCD II
- 630 TV Lines
- **Digital Noise Reduction (DNR)** - Dramatically reduces both random and fixed noise. It also reduces DVR disk space usage by up to 70%.
- **0.00039 (Sens-up, 256X) / 0.1 Lux (50 IRE @ F1.4)**
- **Mechanical IR Cut Filter (ICR)** ★
- Built-in Microphone RCA Output ★ 2
- On-Screen Display (OSD)
- RS485 Output for OSD Control ★ 3
- Alarm Output: Black/Brown ★ 4
- Dual Power 12V DC / 24V AC

* Lens Not Included

★ New additional features **x5**



www.okinausa.com

MADE IN TAIWAN

Copyright © 2012. All Rights Reserved.
www.okinausa.com