

SIR24X-348AIDN-VD 480 TVL
SIR24X-342AIDN-VD 420 TVL

Operational Manual

**3-AXIS Day & Night Vandal Proof
 IR Dome Camera**

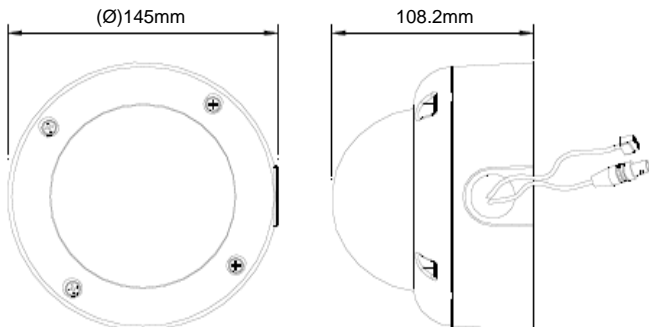


Please read the Operational Manual before attempting to use this product.

FEATURES

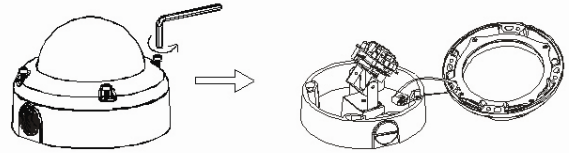
- 1/3" Sony Super HAD CCD
- Employs Digital Signal Processor (DSP) IC for Image Control
- 24 IR LED
- 3.7mm~12.0mm Aspherical Auto Iris Vari-Focal Lens
Made by Tamron
- IR Distance up to 50ft / 15m
- 0.3 Lux @ F2.0, 0 Lux @ IR "on" – 480 TVL
 0.2 Lux @ F2.0, 0 Lux @ IR "on" – 420 TVL
- High Sensitivity, Low Smear, High Anti-Blooming
- IP66 Rating
- 12V DC

DIMENSIONS

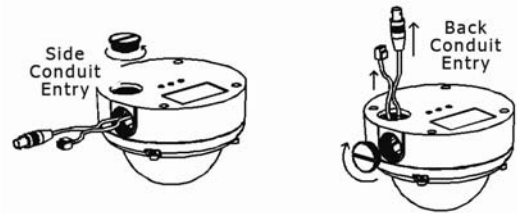


INSTALLATION

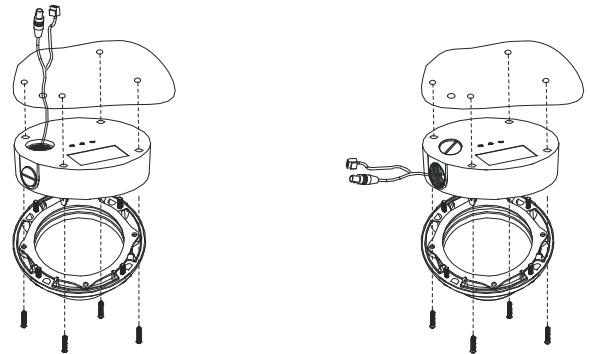
1. Use the allen wrench to loosen the screws on the tamper-resistant housing cover.



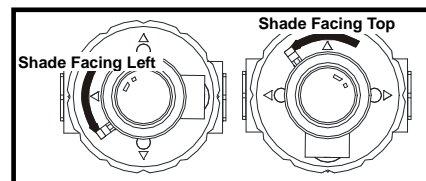
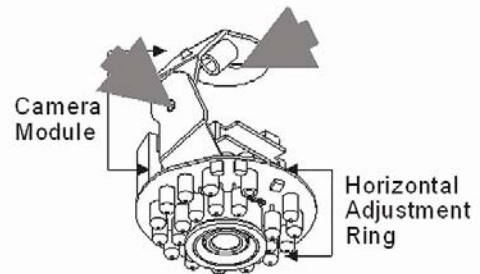
2. The unit has a factory installed side conduit entry and the cables can be adjusted to the back conduit entry according to installation requirement.



3. Set the mounting base onto the wall or ceiling and center it over the mounting hole. Use the four screws to secure it onto the wall/ceiling.

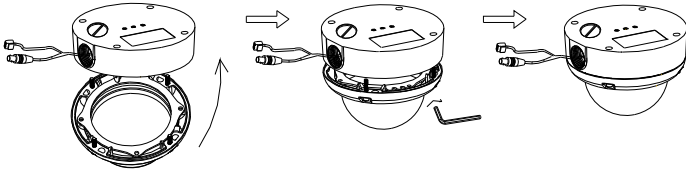


4. Camera Image Adjustment
 First tilt then rotate the camera module to obtain desired viewing angle. Then turn the horizontal adjustment ring to correct the image.

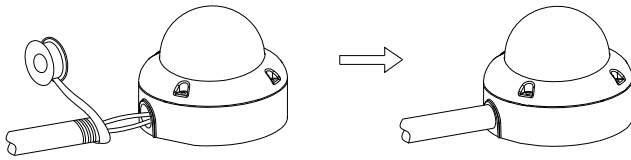


Note: When adjusting 3-AXIS vari-focal lens, follow the Camera Image Adjustment setup first. You must turn the horizontal adjustment ring so that the shaded area is facing toward the top or left side of you.

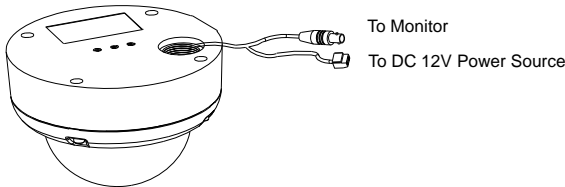
- When the camera focus adjustment is complete, use the allen wrench to fasten the tamper-resistant housing to the base.



- When using the side conduit cabling, it is suggested to cover the cables using metal conduit (to prevent external damage and for waterproof prevention), and wined the waterproof adhesive tape (P.T.F.E. Thread Seal Tape) onto the metal conduit before installation.



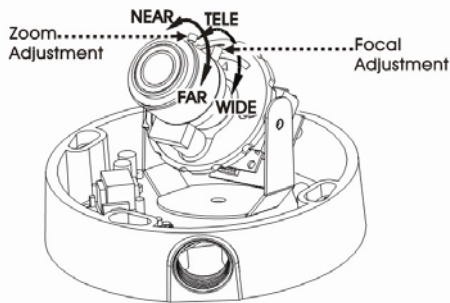
- Connect the video output to the monitor or other video device through a 75 Ohms type coaxial cable and the DC Jack or AC/DC Terminal to the power source.



OPERATION

Once the picture appears on the monitor, open the cover and adjust the lens adjustor knobs "NEAR ↔ FAR". Get the view zoom that you desire, and then adjust the focus of the lens to obtain the best picture. After adjustments, tighten both adjustor knobs.

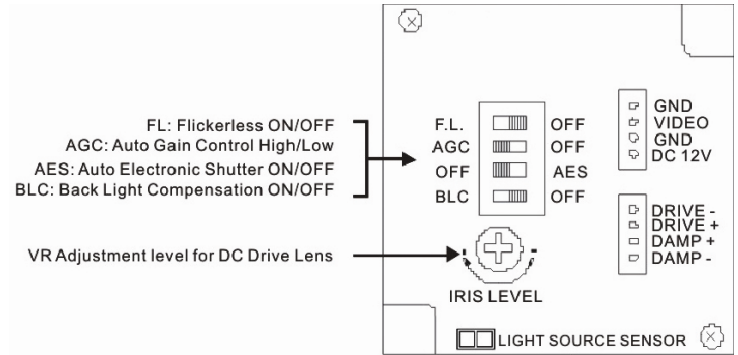
Vari-Focal Lens Adjustment



DIP Switch Setting

- Flickerless**
Set switch OFF/F.L. to Flicker to enable Flickerless function. In this mode, the switch AES/OFF is auto disabled.
- AGC**
Adjust the switch to AGC indicates AGC-Hi and OFF indicates AGC-Low. AGC-Hi mode: The max. AGC gain is approximately 26dB. AGC-Lo mode: The max. AGC gain is approximately 16dB.

- Auto Iris**
When using an auto iris lens, the switch AES/OFF should be in the OFF position. Adjust VR to the proper level.
- BLC**
Set switch OFF/BLC to BLC to enable Back Light Compensation function.



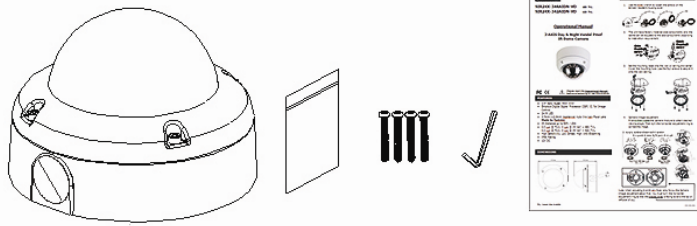
SPECIFICATIONS

Model	SIR24X-348AIDN-VD	SIR24X-342AIDN-VDP
Image Sensor	1/3" Sony Super HAD CCD	
DSP	Sony	
Total Pixel	NTSC: 768(H) x 694(V) PAL: 500(H) x 562(V)	NTSC: 510(H) x 492(V) PAL: 500(H) x 582(V)
Synchronizing System	Internal	
Resolution	480 TV Lines	420 TV Lines
Minimum Illumination	0.3 Lux @ F2.0 0 Lux @ IR "on"	0.2 Lux @ F2.0 0 Lux @ IR "on"
S/N Ratio	More than 48dB	
Flickerless	NTSC: On / Off, 1/100s switchable PAL: On / Off, 1/120s switchable	
Auto Gain Control	High / Low switchable	
White Balance	Auto 2500°K~9500°K	
Back Light Compensation	On / Off switchable	
Gamma	0.45	
Electronic Shutter	NTSC: 1/60~1/100,000sec switchable PAL: 1/50~1/110,000sec switchable	
Video Output	1Vp-p composite / 75 Ω	
Lens	3.7mm~12.0mm Aspherical Auto Iris Vari-Focal Lens / F1.6~360 Made by Tamron Wide: 83.9°x61.9° / Tele: 23.0°x17.9° (HxV)	
IR LED	24 IR LED	
IR Wavelength	850 nm	
IR Distance	50ft / 15m	
IP Rating	IP66	
Power Supply	12V DC ± 10%	
Power Consumption	440mA @ IR "on" 180mA @ IR "off"	440mA @ IR "on" 160mA @ IR "off"
Operating Temperature	14°F ~ 122°F / -10°C ~ +50°C	
Dimension	5.7"(Ø) x 4.3"(H) 145mm(Ø) x 108.2mm(H)	

*Specifications are subject to change without notice

* For any returns, please include all components listed above with original packaging in **Resalable Condition**. **Absolutely No Returns** will be accepted if any component is missing/damaged.

LIST OF COMPONENTS



- One (1) SIR24X-348AIDN-VD/SIR24X-348AIDN-VDP or SIR24X-342AIDN-VD/SIR24X-342AIDN-VDP Dome Camera with power/video cable
- Four (4) Screws
- One (1) Allen Wrench
- One (1) Operational Manual



CAUTION

- 1. Never point the camera toward the sun**
Do not expose the lens directly to the sun or to strong light as this may damage the pick-up device.
- 2. Handle this camera with care**
Avoid any shock or bumping of the camera. Improper handling could damage the camera.
- 3. Requires a proper operating environment**
This camera is designed for indoor use. The allowable temperature range for operation of this camera is between $-4^{\circ}\text{F} \sim 122^{\circ}\text{F}$ / $-10^{\circ}\text{C} \sim 50^{\circ}\text{C}$ and the allowable humidity is 85%RH maximum.
- 4. Clean the front face or lens**
It is recommended that the surface be cleaned every 3~6 months. Cleaning should be done by using a chamois, a very fine soft cloth, lens tissue, or cotton tipped applicator and ethanol to carefully remove any fingerprint or dust.
- 5. Check the power source voltage**
The power source voltage should be within the specified range. (Camera must meet the specifications). Camera must be connected to a surge protector at all times.
- 6. Objects and liquid entry**
Never push objects of any kind into this camera as this may touch dangerous voltage points of short out parts that could result in a fire or electric shock. Never spill any kind of liquid on the video product.
- 7. Servicing**
Do not attempt to service this video product by yourself as opening or removing covers may expose you to dangerous voltage or other hazards. Refer all service to qualified servicing personnel.

8. Damage requiring service

- Unplug this video product from the wall outlet and refer service to qualified servicing personnel under the following conditions:
- a. When the power supply cord or plug is damaged.
 - b. If liquid has been spilled, or objects have fallen into the video product.
 - c. If the video product has been exposed to rain or water.
 - d. If the video product has been dropped or the cabinet has been damaged.
 - e. When the video product exhibits a distinct change in performance.



LIMITED WARRANTY

OKINA USA products are covered under warranty for one year from the date of purchase. The warranty will automatically be voided if any of the following occurs:

1. Camera sticker is removed

If the camera sticker is removed, we will not be able to confirm any information regarding when and where the product was purchased. We have no other way to verify the purchase record without the serial number on the camera sticker; therefore, it should not be removed.

2. Camera is modified in any way

If the camera is scratched, damaged, or modified in a manner not described in this manual, the warranty will be voided immediately. It is the customer's responsibility to keep the camera in good condition.

3. Video or power cable is cut

The video cable and the power cable should not be tampered with. Cutting or modifying of the cables will result in termination of the warranty.