



SIR42-352AI
SIR42-352AIP

Operational Manual

42 IR Day & Night Weatherproof Color Camera



FEATURES

- 1/3" Hi-Res. Sony Super HAD CCD
- 520 TV Lines
- 42 IR LED
- 3.7mm~12.0mm Aspherical Auto Iris Vari-Focal Lens
- IR Distance up to 120ft / 40m
Selectable IR projecting distance design (Hi/Mid/Low)
- 0.3 Lux @ F1.6
- External Function Adjustors
- Cable Management Bracket; IP66 Rating
- IR "on": 350mA (Low) / 410mA (Mid) / 810mA (High)
IR "off": 250mA
- 12V DC



Please read the Manual before attempting to use this product.



CAUTION

RISK OF ELECTRIC SHOCK
DO NOT OPEN!



TO REDUCE THE RISK OF ELECTRICAL SHOCK,
DO NOT OPEN COVERS (OR BACK).
NO USER SERVICEABLE PARTS INSIDE.
REFER SERVICING TO QUALIFIED
SERVICE PERSONNEL.



Disposal of Old Electrical & Electronic Equipment (Applicable in the European Union and other European countries with separate collection systems).

This symbol on the product or on its packaging indicates that this product shall not be treated as household waste. Instead it shall be handed over to the applicable collection point for the recycling of electrical and electronic equipment. By ensuring this product is disposed of correctly, you will help prevent potential negative consequences for the environment and human health, which could otherwise be caused by inappropriate waste handling of this product. The recycling of materials will help to conserve natural resources. For more detailed information about recycling of this product, please contact your local city office, your household waste disposal service or the shop where you purchased the product.

CAUTION

1. Never point the camera toward the sun

Do not expose the lens directly to the sun or to strong light as this may damage the pick-up device.

2. Handle this camera with care

Avoid any shock or bumping of the camera. Improper handling could damage the camera.

3. Requires a proper operating environment

This camera is designed for indoor use. The allowable temperature range for operation of this camera is between -4°F ~ 122°F / -10°C ~ 50°C.

4. Clean the front face or lens

It is recommended that the surface be cleaned every 3~6 months. Cleaning should be done by using a chamois, a very fine soft cloth, lens tissue, or cotton tipped applicator and ethanol to carefully remove any fingerprint or dust.

5. Check the power source voltage

The power source voltage should be within the specified range. (Camera must meet the specifications). Camera must be connected to a surge protector at all times.

6. Objects and liquid entry

Never push objects of any kind into this camera as this may touch dangerous voltage points of short out parts that could result in a fire or electric shock. Never spill any kind of liquid on the video product.

7. Servicing

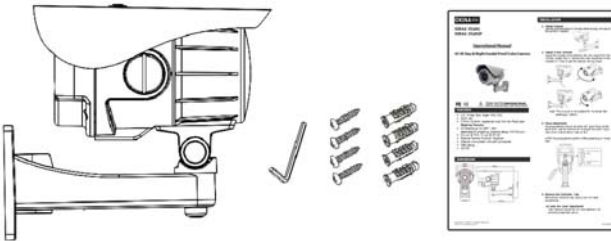
Do not attempt to service this video product by yourself as opening or removing covers may expose you to dangerous voltage or other hazards. Refer all service to qualified servicing personnel.

8. Damage requiring service

Unplug this video product from the wall outlet and refer service to qualified servicing personnel under the following conditions:

- a. When the power supply cord or plug is damaged.
- b. If liquid has been spilled, or objects have fallen into the video product.
- c. If the video product has been exposed to rain or water.
- d. If the video product has been dropped or the cabinet has been damaged.
- e. When the video product exhibits a distinct change in performance.

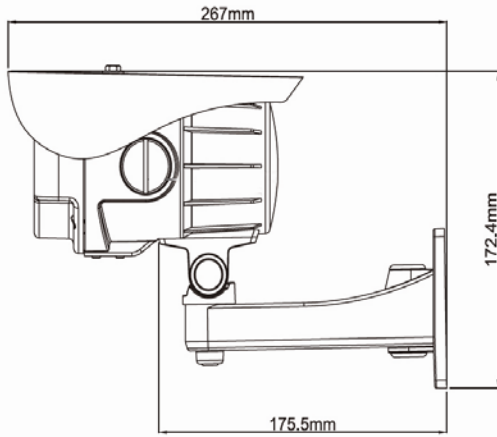
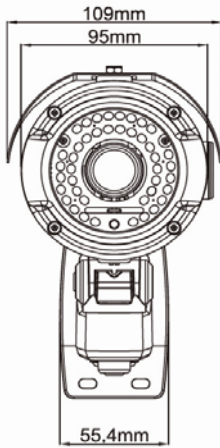
PACKAGE CONTENTS



- One (1) SIR42-352AI/SIR42-352AIP Camera with power/video cable and sunshield
- One (1) Allen Wrench
- Four (4) Screws
- Four (4) Wall Anchors
- One (1) Operational Manual

* For any returns, please include all components listed above with original packaging in **Resalable Condition**. **Absolutely No Returns** will be accepted if any component is missing/damaged.

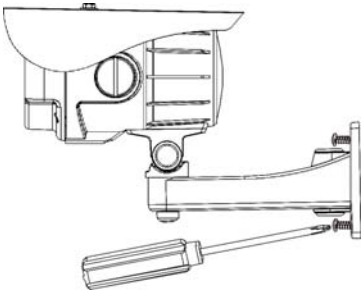
DIMENSIONS & PARTS FUNCTIONS



INSTALLATION

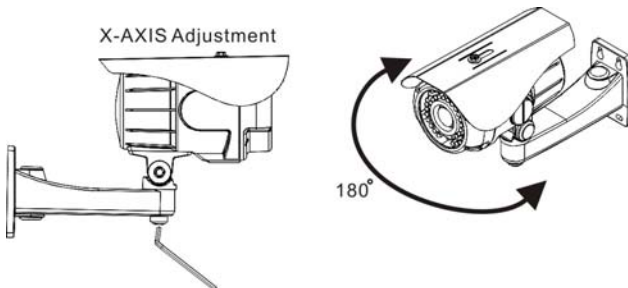
1. Install Camera

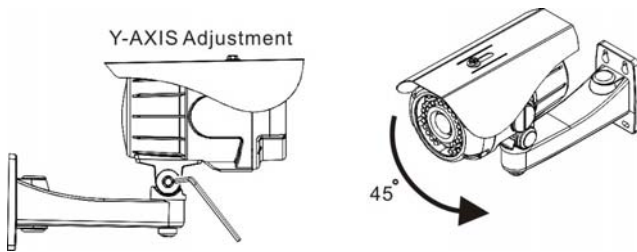
Use the supplied screws and secure the camera in position.



2. Adjust 2-Axis Bracket

Adjust the bracket while checking the view angle from the monitor. Loosen the X-Y screws and then adjust the 2-Axis bracket (X-Y Axis) to get the desired viewing angle.



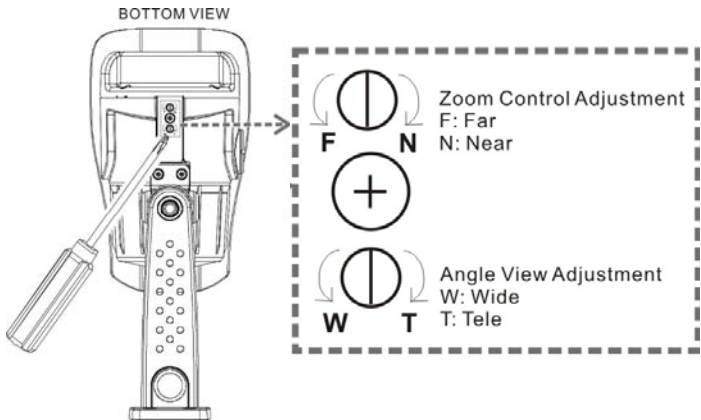


NOTE: This product is not suitable for horizontal 360° continuous rotation.

3. Focus Adjustment

Focus adjustment should be done with zoom focus at the same time. Use the screwdriver to adjust the zoom/ focus ratio (from wide to tele or near to far).

NOTE: Focus adjustment position differs depending on model type.



4. Remove the Controller Cap

With your free hand or a coin remove the controller cap and make adjustments.

(1) Auto Iris Level Adjustment

User needs to adjust the DC level especially for conditions described on next page:

- If camera is facing a window but is placed in a relatively dark room.
- If the subject background is extremely bright or dark.
- If brightness of the picture on the monitor is incorrect.

Auto Iris Level

- (counterclockwise): To decrease the contrast

+ (clockwise): To increase the contrast

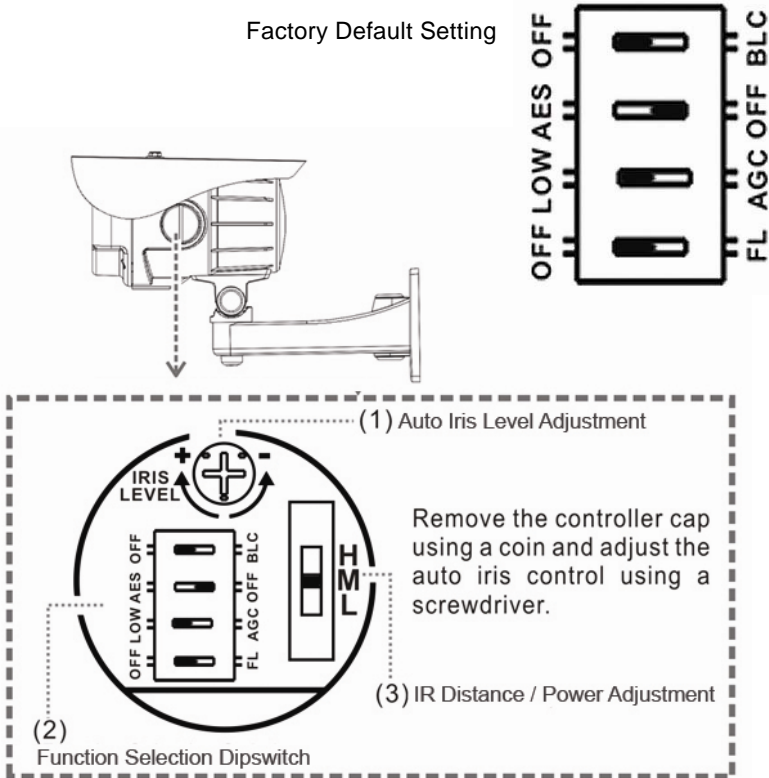
(2) Function Selection Dipswitch

FL (Flickerless) If the camera is used with 50Hz fluorescent lighting, flicker may appear on the screen. In this case, FL switch should be set to FL position and switched to OFF position if 60Hz power source is applied.

AGC (Auto Gain Control) Set to AGC position, the camera's sensitivity is automatically increased when level of ambient light drops. AGC function automatically controls signal gain in the range of maximum 28dB.

AES (Auto Electronic Shutter) Set to OFF mode for auto iris control and AES mode for fixed or manual iris control (The default is OFF mode).

BLC (Back Light Compensation) Set to BLC position, it is useful when the camera is facing an object that has excessive light behind it (Ex.: Camera installed facing a doorway).



(3) IR Distance/Power Adjustment

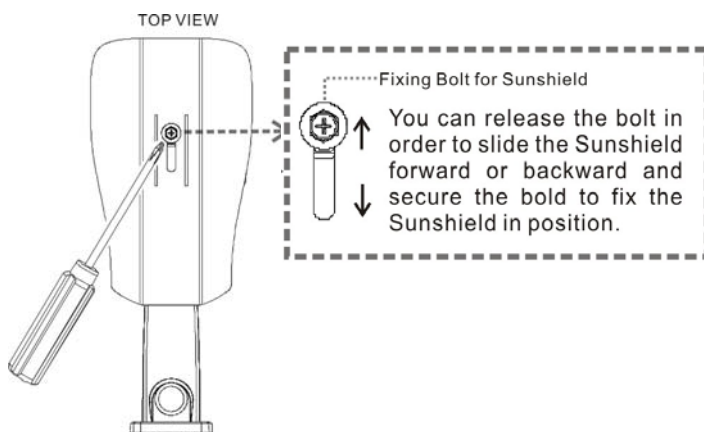
Installer may use IR adjustment function according to installation conditions. It is suggested that the view angle should be checked before setting up the IR distance. Below is the suggested LED brightness and IR distance adjustment table:

LED Brightness	IR Distance	Power Consumption
H (High)	80ft~130ft 25m~40m	810mA
M (Middle)	50ft~80ft 15m~25m	410mA
L (Low)	30ft~50ft 10m~15m	350mA

* The suggested LED brightness and IR distance adjustment is for reference only. Please adjust accordingly in regards to the environment the camera is mounted. Use less power if there are reflections.

5. Install Sunshield

To install the sunshield, please follow the instruction shown below:



LIMITED WARRANTY

OKINA USA products are covered under warranty for one year from the date of purchase. The warranty will automatically be voided if any of the following occurs:

1. Camera sticker is removed

If the camera sticker is removed, we will not be able to confirm any information regarding when and where the product was purchased. We have no other way to verify the purchase record without the serial number on the camera sticker; therefore, it should not be removed.

2. Camera is modified in any way

If the camera is scratched, damaged, or modified in a manner not described in this manual, the warranty will be voided immediately. It is the customer's responsibility to keep the camera in good condition.

3. Video or power cable is cut

The video cable and the power cable should not be tampered with. Cutting or modifying of the cables will result in termination of the warranty.

SPECIFICATIONS

Model	SIR42-352AI		SIR42-352AIP	
System	NTSC		PAL	
Image Sensor	1/3" Hi-Res. Sony Super HAD CCD			
DSP	Sony			
Total Pixel	768(H) x 494(V)		752(H) x 582(V)	
Synchronizing System	Internal			
Resolution	520 TV Lines			
Minimum Illumination	0.3 Lux @ F2.0 / 0 Lux @ IR "on"			
S/N Ratio	More than 48dB (AGC Off)			
Flickerless	On / Off, 1/100s switchable		On / Off, 1/120s switchable	
Auto Gain Control	High / Low Manual			
White Balance	Auto, Manual			
Back Light Compensation	On / Off Manual			
Gamma	0.45			
Electronic Shutter	1/60 ~ 1/100,000sec switchable		1/50 ~ 1/110,000sec switchable	
Video Output	1Vp-p composite / 75 Ω			
Mechanical IR Cut Filter - ICR	No			
Lens	3.7mm~12.0mm Aspherical Vari-Focal Lens			
IR LED	42 IR LED			
IR Wavelength	850 nm			
IR Distance	120ft / 40m		Low, Mid, High Selectable	
IP Rating	IP66			
Power Supply	12V DC ± 10%			
Power Consumption	IR ON	350mA (Low) / 410mA (Mid) / 810mA (High)		
	IR Off	250mA		
Operating Temperature	14°F ~ 122°F / -10°C ~ +50°C			
Dimension	10.51(L) x 4.29(W) x 6.77(H) inches / 267(L) x 109(W) x 172(H) mm with sunshield			

* Specifications are subject to change without notice.