

ESP-37036 Without Audio
ESP-37036A With Audio

Operational Manual

Covert PIR Color Camera



This is only a covert camera, not an alarm device. This camera has **NO** PIR function.

FEATURES

- 1/3" Sony ExView HAD CCD II
- Sony Effio-E DSP
- 700 TV Lines (Night) / 650 TV Lines (Day)
- 3.6mm Cone Lens
- 0.01 Lux @ F1.2
- Built-in Microphone – For ESP-37036A Only
- 12V DC, 90mA – ESP-37036 / 100mA – ESP-37036A

This camera employs a digital signal processor (DSP) chip-set for image control with an integrated state circuitry which provides extremely long life and high reliability. This camera offers excellent image quality with low lag and high burn resistance, and is not subject to distortions from magnetic fields.



Please read the Manual before attempting to use this product.



CAUTION

RISK OF ELECTRIC SHOCK
DO NOT OPEN!



TO REDUCE THE RISK OF ELECTRICAL SHOCK,
DO NOT OPEN COVERS (OR BACK).
NO USER SERVICEABLE PARTS INSIDE.
REFER SERVICING TO QUALIFIED
SERVICE PERSONNEL.



Disposal of Old Electrical & Electronic Equipment (Applicable in the European Union and other European countries with separate collection systems).

This symbol on the product or on its packaging indicates that this product shall not be treated as household waste. Instead it shall be handed over to the applicable collection point for the recycling of electrical and electronic equipment. By ensuring this product is disposed of correctly, you will help prevent potential negative consequences for the environment and human health, which could otherwise be caused by inappropriate waste handling of this product. The recycling of materials will help to conserve natural resources. For more detailed information about recycling of this product, please contact your local city office, your household waste disposal service or the shop where you purchased the product.

CAUTION

- 1. Never point the camera toward the sun**
Do not expose the lens directly to the sun or to strong light as this may damage the pick-up device.
- 2. Handle this camera with care**
Avoid any shock or bumping of the camera. Improper handling could damage the camera.
- 3. Requires a proper operating environment**
This camera is designed for indoor use. The allowable temperature range for operation of this camera is between 14°F ~ 122°F / -10°C ~ 50°C.
- 4. Clean the front face or lens**
It is recommended that the surface be cleaned every 3-6 months. Cleaning should be done by using a chamois, a very fine soft cloth, lens tissue, or cotton tipped applicator and ethanol to carefully remove any fingerprint or dust.

5. Check the power source voltage

The power source voltage should be within the specified range. (Camera must meet the specifications). Camera must be connected to a surge protector at all times.

6. Objects and liquid entry

Never push objects of any kind into this camera as this may touch dangerous voltage points of short out parts that could result in a fire or electric shock. Never spill any kind of liquid on the video product.

7. Servicing

Do not attempt to service this video product by yourself as opening or removing covers may expose you to dangerous voltage or other hazards. Refer all service to qualified servicing personnel.

8. Damage requiring service

Unplug this video product from the wall outlet and refer service to qualified servicing personnel under the following conditions:

- a. When the power supply cord or plug is damaged.
- b. If liquid has been spilled, or objects have fallen into the video product.
- c. If the video product has been exposed to rain or water.
- d. If the video product has been dropped or the cabinet has been damaged.
- e. When the video product exhibits a distinct change in performance.

9. Please follow your local privacy laws and regulations when using covert cameras with or without audio recording in a public setting.

Manufacturer and/or distributor are not responsible for any improper usage of this camera.

LIMITED WARRANTY

This product is covered under warranty for one year from the date of purchase. The warranty will automatically be voided if any of the following occurs:

1. Camera sticker is removed

If the camera sticker is removed, we will not be able to confirm any information regarding when and where the product was purchased. We have no other way to verify the purchase record without the serial number on the camera sticker; therefore, it should not be removed.

2. Camera is modified in any way

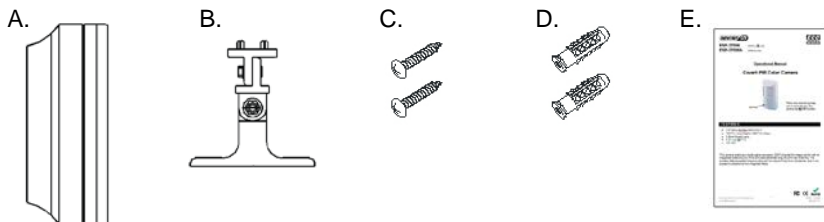
If the camera is scratched, damaged, or modified in a manner not described in this manual, the warranty will be voided immediately. It is the customer's responsibility to keep the camera in good condition.

3. Video or power cable is cut

The video cable and the power cable should not be tampered with. Cutting or modifying of the cables will result in termination of the warranty.

PACKAGE CONTENTS

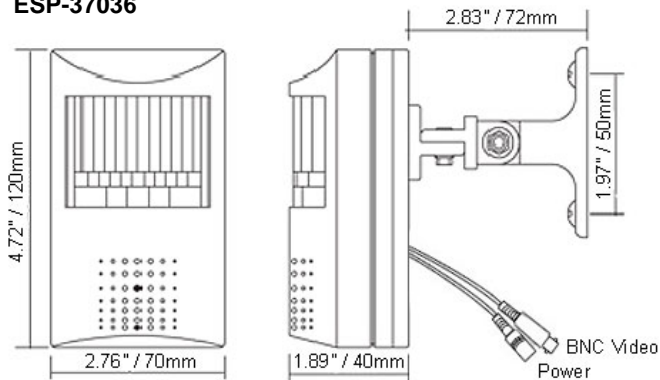
- A. One (1) Covert PIR Camera with power/video cable
- B. One (1) Mounting Bracket
- C. Two (2) Mounting Screws
- D. Two (2) Wall Anchors
- E. One (1) Manual



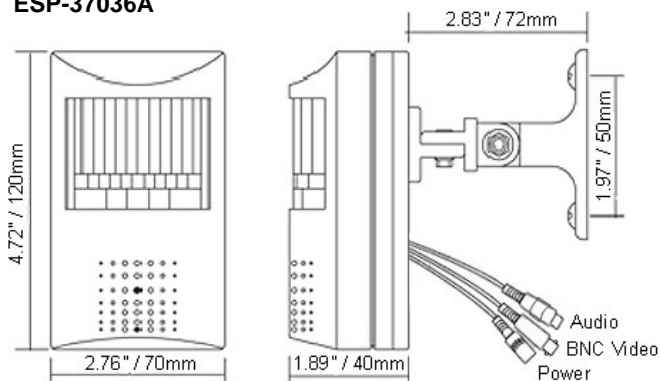
* For any returns, please include all components listed above with original packaging in **Resalable Condition**. **Absolutely No Returns** will be accepted if any component is missing/damaged.

DIMENSIONS

ESP-37036

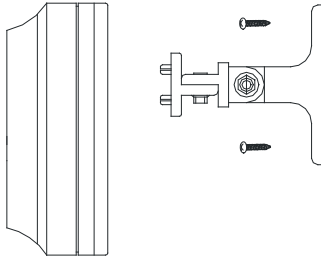


ESP-37036A

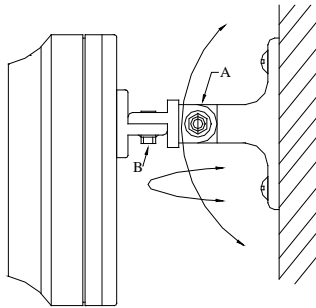


INSTALLATION

1. Select a location from which the pattern of the detector is most likely to be crossed by a burglar.
2. Mount the wall bracket using the supplied screws.

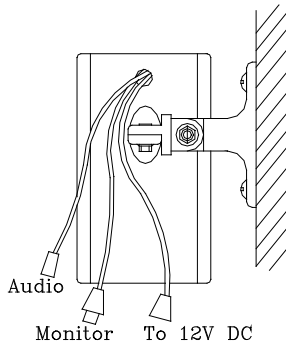


3. Attach the camera to the bracket.
4. Adjust the vertical and horizontal angles by loosening screws (A & B) and by turning the bracket vertically and horizontally.



WIRING

1. Connect the video input connector on the video monitor to the video output connector of the camera with 75 ohm coaxial cable.
2. Insert the AC plug into the AC power socket and the DC plug to the DC jack.



Note: AC adapter is sold separately.

SPECIFICATIONS

Model (NTSC)	ESP-37036	ESP-37036A
Model (PAL)	ESP-37036P	ESP-37036PA
Image Sensor	1/3" Sony ExView HAD CCD II	
DSP	Sony Effio-E	
Effective Picture Elements	NTSC: 976(H) x 494(V) PAL: 976(H) x 582(V)	
Resolution	Day: 650 TV Lines / Night: 700 TV Lines	
Minimum Illumination	0.01 Lux / F1.2	
S/N Ratio	More than 48dB	
Auto Electronic Shutter	NTSC: 1/60sec ~ 1/100,000sec PAL: 1/50sec ~ 1/100,000sec	
Gamma Correction	0.45	
Gain Control	Auto	
White Balance	Auto	
Synchronization	Internal	
Video Output	1Vp-p / 75 Ohms	
Lens	3.6mm Cone Lens / F1.2	
Voltage Requirement	12V DC \pm 10%	
Power Consumption	90mA max.	100mA max.
Microphone	No	Yes
Dimensions (W x H x D)	2.76 x 4.72 x 1.89 inches 2.77 70 x 120 x 48 mm	
Net Weight	0.28 lbs / 128g (without bracket) 0.34 lbs / 156g (with bracket)	

* Specifications are subject to change without notice

NOTE: This is only a covert camera, not an alarm device. This camera has **NO** PIR function.

OEM Product Item Code: H-511 / H-512

MADE IN TAIWAN

Copyright © 2013. All Rights Reserved.
www.sentryus.com

OTHER COVERT CAMERAS

Motion LED Floodlight Covert Camera ESFL-X650



- 1/3" Sony ExView HAD CCD II
- 650 TV Lines
- 3.6mm Board Lens
- 0.01 Lux @ F2.0; 0 Lux @ IR on
- 150pcs High Efficiency White LED
- 140° PIR motion sensor
- Pyro-Sensor Detection; 50ft / 15m
- IP55 Rating
- 650mA@LED on / 110mA@LED off
- 12V DC

PIC: H-510

Covert UFO Color Camera ESU-3420



- 1/3" Sony Super HAD CCD
- 420 TV Lines
- 3.7mm Cone Lens
- 0.4 Lux @ F2.0
- For Indoor Only
- 12V DC, 117mA

PIC: H-506

Smoke Detector Covert Color Camera SHS-7540DN



- 1/3" Sony Super HAD CCD
- 540 TV Lines
- 0.5 Lux @ F2.0
- 3.6mm Standard Lens
- 12V DC

H-502

Smoke Detector Covert Color Camera SSS-7420



- 1/3" Sony Super HAD CCD
- 420 TV Lines
- 0.3 Lux @ F2.0
- 3.6mm Standard Lens
- 12V DC

H-503