

Operational Manual**Motion LED Floodlight Covert Color Camera****FEATURES**

- 1/3" Sony ExView HAD CCD II
- 650 TV Lines (Color) / 700TV Lines (B&W)
- 3.6mm Board Lens
- 0.01 Lux @ F2.0; 0 Lux @ IR on
- 150pcs High Efficiency White Light LED
- 140° PIR motion sensor
- Pyro-Sensor Detection; Up to 50ft / 15m
- IP55 Rating
- 650mA @ LED on / 110mA @ LED off
- 12V DC

This motion floodlight covert camera has 150pcs high efficiency white light LED for energy saving and longer life time. It also features a 140° PIR motion sensor with no dead-angle wide view design. With its IP55 weatherproof housing, this motion floodlight covert camera is suitable for garage, entrance, warehouse, corridor, parking lot, garden, street, etc. where lighting and security is needed.



Please read the Manual before attempting to use this product.



CAUTION

**RISK OF ELECTRIC SHOCK
DO NOT OPEN!**



**TO REDUCE THE RISK OF ELECTRICAL SHOCK,
DO NOT OPEN COVERS (OR BACK).
NO USER SERVICEABLE PARTS INSIDE.
REFER SERVICING TO QUALIFIED
SERVICE PERSONNEL.**



Disposal of Old Electrical & Electronic Equipment (Applicable in the European Union and other European countries with separate collection systems).

This symbol on the product or on its packaging indicates that this product shall not be treated as household waste. Instead it shall be handed over to the applicable collection point for the recycling of electrical and electronic equipment. By ensuring this product is disposed of correctly, you will help prevent potential negative consequences for the environment and human health, which could otherwise be caused by inappropriate waste handling of this product. The recycling of materials will help to conserve natural resources. For more detailed information about recycling of this product, please contact your local city office, your household waste disposal service or the shop where you purchased the product.

CAUTION

1. Installation for best results

Do not install the product in reverse or sideways to ensure the best performance of detection range and protect the product from dripping water. Install the product on a solid base away from heat generating devices as the high temperature could cause wrong detection of the motion sensor. The motion sensor should not face the moving direction of objects. This will reduce the detection range. Install the product at a height of 10~11.5 feet / 3~3.5 meters to achieve the best performance of detection range.

2. Never point the camera toward the sun

Do not expose the lens directly to the sun or to strong light as this may damage the pick-up device.

3. Handle this camera with care

Avoid any shock or bumping of the camera. Improper handling could damage the camera.

4. Requires a proper operating environment

This camera is designed for outdoor use. The allowable temperature range for operation of this camera is between -40°F ~ 122°F / -40°C ~ 50°C.

5. Clean the front face or lens

It is recommended that the surface be cleaned every 3~6 months. Cleaning should be done by using a chamois, a very fine soft cloth, lens tissue, or cotton tipped applicator and ethanol to carefully remove any fingerprint or dust.

6. Check the power source voltage

The power source voltage should be within the specified range. (Camera must meet the specifications). Camera must be connected to a surge protector at all times.

7. Objects and liquid entry

Never push objects of any kind into this camera as this may touch dangerous voltage points of short out parts that could result in a fire or electric shock. Never spill any kind of liquid on the video product.

8. Servicing

Do not attempt to service this video product by yourself as opening or removing covers may expose you to dangerous voltage or other hazards. Refer all service to qualified servicing personnel.

9. Damage requiring service

Unplug this video product from the wall outlet and refer service to qualified servicing personnel under the following conditions:

- a. When the power supply cord or plug is damaged.
- b. If liquid has been spilled, or objects have fallen into the video product.
- c. If the video product has been exposed to rain or water.
- d. If the video product has been dropped or the cabinet has been damaged.
- e. When the video product exhibits a distinct change in performance.

10. Please follow your local privacy laws and regulations when using covert cameras with or without audio recording in a public setting.

Manufacturer and/or distributor are not responsible for any improper usage of this camera.

LIMITED WARRANTY

This product is covered under warranty for one year from the date of purchase. The warranty will automatically be voided if any of the following occurs:

1. Camera sticker is removed

If the camera sticker is removed, we will not be able to confirm any information regarding when and where the product was purchased. We have no other way to verify the purchase record without the serial number on the camera sticker; therefore, it should not be removed.

2. Camera is modified in any way

If the camera is scratched, damaged, or modified in a manner not described in this manual, the warranty will be voided immediately. It is the customer's responsibility to keep the camera in good condition.

3. Video or power cable is cut

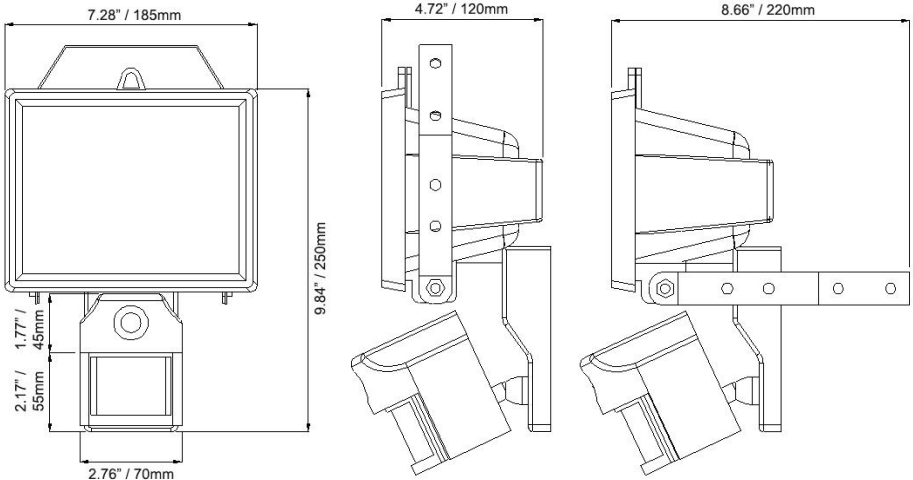
The video cable and the power cable should not be tampered with. Cutting or modifying of the cables will result in termination of the warranty.

PACKAGE CONTENTS

- One (1) Motion Floodlight Covert Camera with power/video cable
- One (1) Operational Manual

* For any returns, please include all components listed above with original packaging in **Resalable Condition**. **Absolutely No Returns** will be accepted if any component is missing/damaged.

DIMENSIONS



VR ADJUSTMENTS



SENS: - / + Sensitivity Setting	"-"-wise	▶	Decreases detection range to Min. 5M
	"+"-wise	▶	Increases detection range to Max. 15M (based on 22°C)
LUX: ☀ / ☾ Timing of Lighting	"☀"-wise	▶	Standby on 24 hours
	"☾"-wise	▶	Standby at nighttime
	"☾"-wise	▶	Adjust the LUX VR to 9 ~ 10 O'clock
TIME: - / + Lighting Time	"-"-wise	▶	Continually lighting in 5 seconds
	"+"-wise	▶	Continually lighting in 12 minutes

Directions (O'clock)	5 ↘	1 ↗	12 ↑	11 ↖	10 ↙	9 ←
Lighting Time	12 min	7 min	5 min	3 min	2 min	5 sec



SPECIFICATIONS

Model (NTSC)		ESFL-X650
Model (PAL)		ESFL-X650P
Color CCD Camera	Image Sensor	1/3" Sony ExView HAD CCD II
	Effective Picture Elements	NTSC: 976(H) x 494(V) PAL: 976(H) x 582(V)
	Resolution	650 TV Lines (Color) / 700TV Lines (B&W)
	Minimum Illumination	0.01 Lux @ F2.0, 0 Lux @ IR on
	S/N Ratio	More than 54dB
	Auto Electronic Shutter	NTSC:1/60 sec ~ 1/100,000 sec PAL:1/50 sec ~ 1/110,000 sec
	Gamma Correction	0.45
	Gain Control	Auto
	White Balance	Auto
	Synchronization	Negative Sync. Internal
	Video Output	1.0 Vp-p Composite Video / 75 ohms
	Lens	3.6mm Board Lens / F2.0
	Voltage Requirement	12V DC Recommend 2A / 2000mA or 1A / 1000mA
Camera & Floodlight	Power Consumption	650mA @ LED on / 110mA @ LED off
Motion Sensor Floodlight	LED	150pcs White Light LED (life time 10,000 hours)
	Luminance	350-450 lm
	Color Temperature	6000°K~6300°K
	Detection Mode	Pyro-Sensor
	Sensor Swiveling Angle	45° Vertical & Horizontal
	Suitable Mounting	Wall & Ceiling Mount
	Time Adjustment	5 sec.~12 min VR Adjustable
	Lux Adjustment	Day ~ Night VR Adjustable
	Detection Range	Up to 50ft / 15m, 140° (22°C) VR Adjustable
	Operating Temperature	-40°F ~ 122°F / -40°C ~ 50°C
	Warm Up Time	30 sec
Physical Properties	Dimensions (W x H x D)	7.28 x 8.86 x 9.84 inches 185 x 220 x 250mm
	Net Weight	2.87 lbs / 1.3 kg

* Specifications are subject to change without notice

OEM Product Item Code: H-510

MADE IN TAIWAN

OTHER COVERT CAMERAS

Covert PIR Color Camera with Audio ESP-3420A



- 1/3" Sony Super HAD CCD
- 420 TV Lines
- For Indoor Only
- Fixed Pinhole 3.7mm Lens
- Built-in Microphone
- 12V DC
- Camera Only, No PIR function

PIC: H-500

Covert PIR Color Camera ESP-3420



- 1/3" Sony Super HAD CCD
- 420 TV Lines
- For Indoor Only
- Fixed Pinhole 3.7mm Lens
- 12V DC
- Camera Only, No PIR function

PIC: H-501

Smoke Detector Covert Color Camera SHS-7540DN



- 1/3" Sony Super HAD CCD
- 540 TV Lines
- 0.5 Lux @ F2.0
- 3.6mm Standard Lens
- 12V DC

H-502

Smoke Detector Covert Color Camera SSS-7420



- 1/3" Sony Super HAD CCD
- 420 TV Lines
- 0.3 Lux @ F2.0
- 3.6mm Standard Lens
- 12V DC

H-503

OTHER COVERT CAMERAS

Covert UFO Color Camera ESU-3420



- 1/3" Sony Super HAD CCD
- 420 TV Lines
- 3.7mm Cone Lens
- 0.4 Lux @ F2.0
- For Indoor Only
- 12V DC, 117mA

PIC: H-506

Covert Mirror Camera ESM-N520-OSD



- 1/3" Sony Super HAD Hi-Res. CCD
- 520 TV Lines
- 3.7mm Board Lens
- 0.1 Lux
- Day & Night Switching via Remote Controller and OSD Display
- 11.02"(W) x 9.06"(H) x 2.36"(D)
- 12V DC, 100mA

PIC: H-507

Fire Sprinkler Covert Camera ESFS-N4243



- 1/3" Sony Super HAD CCD
- 420 TV Lines
- 4.3mm Pinhole Lens
- 0.1 Lux
- 12V~18V DC

H-509