

EPDX-3540B	540 TVL
EPDX-3540W	540 TVL
ESDX-3420B	420 TVL
ESDX-3420W	420 TVL



Operational Manual

3-AXIS Dome Color Camera



B = Black W = White



Please read the Operational Manual before attempting to use this product.

FEATURES

EPDX-3540B & EPDX-3540W

- 1/3" Sharp CCD, 540 TV Lines

ESDX-3420B & ESDX-3420W

- 1/3" Sony Super HAD CCD, 420 TV Lines

- 3.6mm Board Lens
- 0.2 Lux @ F2.0
- 3-AXIS design for any angle
- 12V DC, 75mA



CAUTION

1. Never point the camera toward the sun

Do not expose the lens directly to the sun or to strong light as this may damage the pick-up device.

2. Handle this camera with care

Avoid any shock or bumping of the camera. Improper handling could damage the camera.

3. Requires a proper operating environment

This camera is designed for indoor use. The allowable temperature range for operation of this camera is between 14°F ~ 122°F / -10°C ~ 50°C and the allowable humidity is 85%RH maximum.

4. Clean the front face to the pick-up device

It is recommended that the pick-up device surface be cleaned before lens installation or whenever the lens is changed. Cleaning should be done by using a chamois, a very fine soft cloth, lens tissue, or cotton tipped applicator and ethanol to carefully remove any fingerprint or dust.

5. Check the power source voltage

The power source voltage should be within the specified range. (Camera must meet the specifications). Camera must be connected to a surge protector at all times.

6. Objects and liquid entry

Never push objects of any kind into this camera as this may touch dangerous voltage points of short out parts that could result in a fire or electric shock. Never spill any kind of liquid on the video product.

7. Servicing

Do not attempt to service this video product by yourself as opening or removing covers may expose you to dangerous voltage or other hazards. Refer all service to qualified servicing personnel.

8. Damage requiring service

Unplug this video product from the wall outlet and refer service to qualified servicing personnel under the following conditions:

- When the power supply cord or plug is damaged.
- If liquid has been spilled, or objects have fallen into the video product.
- If the video product has been exposed to rain or water.
- If the video product has been dropped or the cabinet has been damaged.
- When the video product exhibits a distinct change in performance.



WARRANTY

Products are covered under warranty for one year from the date of purchase. The warranty will automatically be voided if any of the following occurs:

1. Camera sticker is removed

If the camera sticker is removed, we will not be able to confirm any information regarding when and where the product was purchased. We have no other way to verify the purchase record without the serial number on the camera sticker; therefore, it should not be removed.

2. Camera is modified in any way

If the camera is scratched, damaged, or modified in a manner not described in this manual, the warranty will be voided immediately. It is the customer's responsibility to keep the camera in good condition.

3. Video or power cable is cut

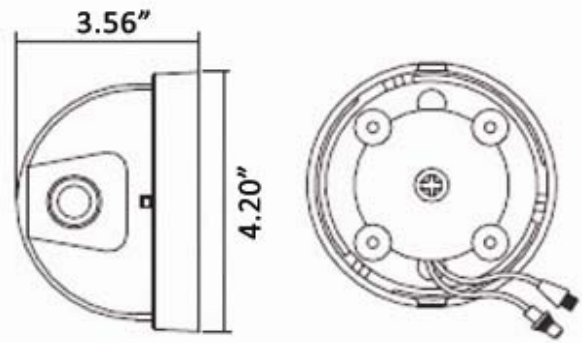
The video cable and the power cable should not be tampered with. Cutting or modifying of the cables will result in termination of the warranty.

SPECIFICATIONS

Model	EPDX-3540B	EPDX-3540W	ESDX-3420B	ESDX-3420W
Base Color	Black	White	Black	White
Image Sensor	1/3" Sharp CCD		1/3" Sony Super HAD CCD	
DSP	Next Chip		Sony	
Total Pixel	NTSC: 510(H) x 492(V) PAL: 500(H) x 582(V)			
Synchronizing System	Internal			
Resolution	540 TV Lines		420 TV Lines	
Minimum Illumination	0.2 Lux @ F2.0			
S/N Ratio	More than 48dB			
Auto Gain Control	Auto			
White Balance	Auto			
Gamma	0.45			
Electronic Shutter Speed	NTSC: 1/60~1/100,000 sec. PAL: 1/50~1/100,000 sec.			
Video Output	1Vp-p composite / 75 Ω			
Lens	3.6mm Board Lens / F2.0			
Power Supply	12V DC			
Power Consumption	75mA			
Operating Temperature	14°F ~ 122°F / -10°C ~ 50°C			
Dimension	3.56"(H) x 4.20"(Ø) 90.5mm(H) x 106.8mm(Ø)			

* Specifications are subject to change without notice

DIMENSIONS

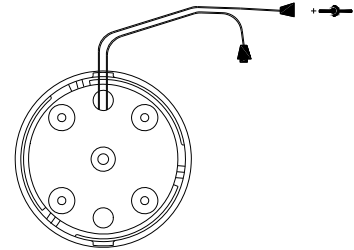


LIST OF COMPONENTS

- One (1) EPDX-3540B or EPDX-3540W or ESDX-3420B or ESDX-3420W Dome Camera with power/video cable
- Four (4) Mounting Screws
- One (1) Operational Manual

INSTALLATION

1. Remove the dome cover from the mounting base by rotating the dome cover clockwise.
2. Adjust the camera viewing angle by first tilting it, and then rotate the camera module. Then turn the horizontal adjustment ring to correct the image and achieve proper orientation.
3. Once the installation is complete, replace the dome cover over the camera and tighten it by turning counter clockwise.
4. Connect the video output to the monitor or other video device through a 75 Ohm type coaxial cable and the DC-Jack or AC/DC-Terminator to the power source.



**Note: Power adapter is sold separately.*

