



# Junction Box Bracket Cable Management Dome/Bullet Camera



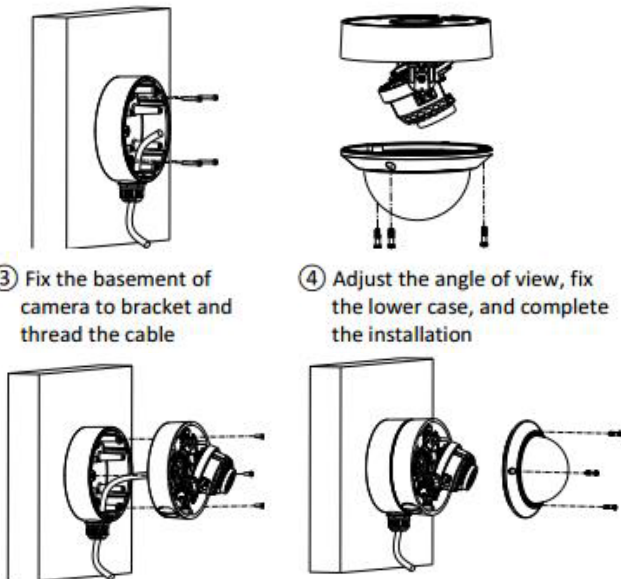
Compatible with cameras  
TVI-56, TVI-57, TVI-58, TVI-65, TVI-66, TVI-80, IP-07, and IP-24

<b>Model</b>	<b>MB-VID-JB</b>
<b>PIC</b>	BK-113
<b>Feature</b>	Junction Box for Dome / Bullet Camera
<b>Color</b>	White
<b>Material</b>	Aluminum Alloy
<b>Dimensions</b>	3.9 x 1.7 x 5 in / 100 x 43.2 x 129 mm
<b>Weight</b>	0.7lbs / 320g

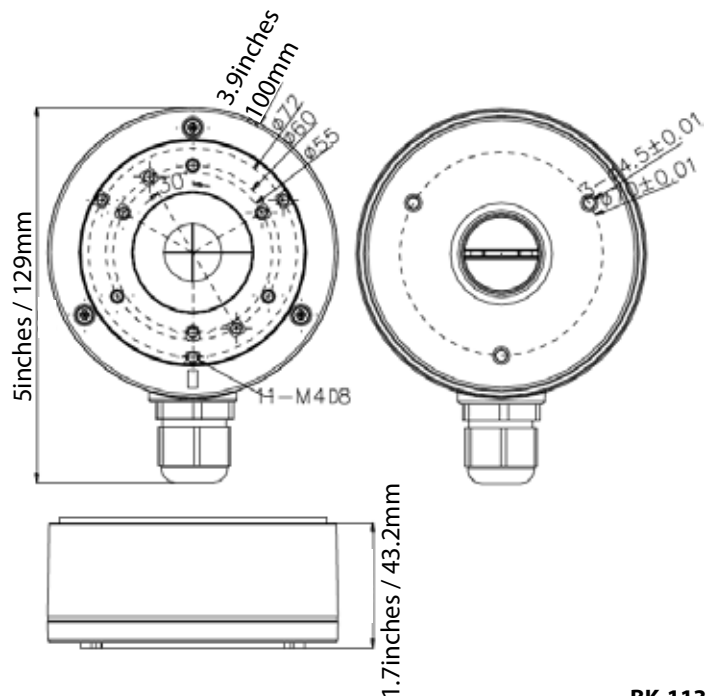
*\*Specifications are subject to change without notice.*

## Installation Steps:

- 1 Choose the appropriate wall to install the bracket and thread the cable
- 2 Separate basement and dome of camera
- 3 Fix the basement of camera to bracket and thread the cable
- 4 Adjust the angle of view, fix the lower case, and complete the installation



## Dimensions:



**Note:** The actual dome camera may vary from the picture above.