

Wall Mount Cable Managed Bracket For Dome Camera



Compatible with cameras **TVI-84, TVI-90, IP-01** and **IP-21**

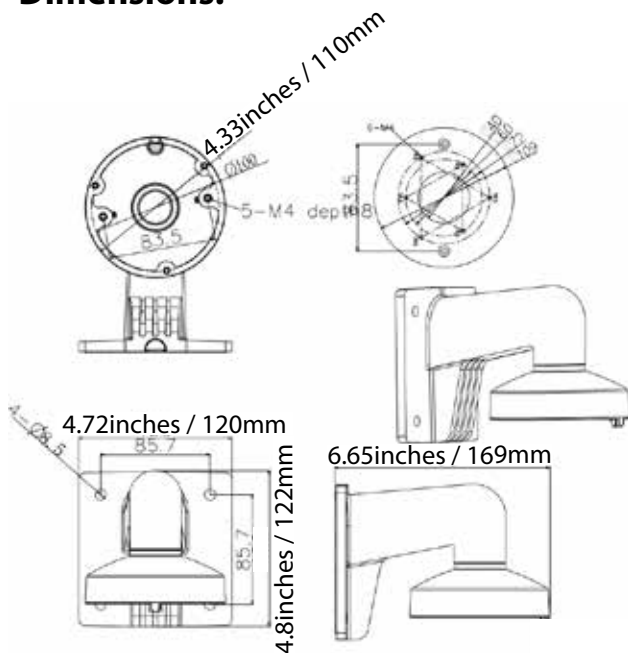
Model	MB-VFD-W2
PIC	BK-112
Feature	Wall Mount Bracket for Dome Camera
Color	White
Material	Aluminum Alloy
Dimensions	4.33 x 4.72 x 4.72 in / 110 x 120 x 120 mm
Weight	1.2lbs / 545g

**Specifications are subject to change without notice.*

Installation Steps:

- ① Choose appropriate wall to install the bracket and thread the cable
 - ② Fix adaptor to bracket and thread the cable
 - ③ Screw up and complete the fixation of adaptor
 - ④ Take off lower dome and lining
 - ⑤ Install dome module to adaptor cap and fix with screw
 - ⑥ Install lining to inner module and adjust view of angle
 - ⑦ Install lower dome to module and screw up
 - ⑧ Installation complete
-
- A: Cable entry hole
B: Fastening screw

Dimensions:



Note: The actual bracket may vary from the picture above.