

Solar Powered Wireless Siren

SWSIREN



The **SWSIREN** unit is able to learn the **SWPB series** solar powered photobeam sensors into its EEPROM memory. It can also send out 110dB alarm sound when it receives an alarm signal from its learned sensor. It can also be armed / disarmed by a wireless remote controller.

FEATURES

- RF frequency: 315MHz.
- RF range to beam sensor: 2000ft (open area / clear line of sight)
- RF range to remote controller: 250ft / 80m (open area)
- No cable wire is needed; no maintenance is needed
- Tamper protected
- Low voltage report
- Built-in 110dB siren
- Can work one month without sunlight
- Solar powered wireless repeater (**SWPREPT**) can be used to enlarge its RF range



Please read the Manual before attempting to use this product.



CAUTION

RISK OF ELECTRIC SHOCK
DO NOT OPEN!



TO REDUCE THE RISK OF ELECTRICAL SHOCK,
DO NOT OPEN COVERS (OR BACK).
NO USER SERVICEABLE PARTS INSIDE.
REFER SERVICING TO QUALIFIED
SERVICE PERSONNEL.



Disposal of Old Electrical & Electronic Equipment (Applicable in the European Union and other European countries with separate collection systems).

This symbol on the product or on its packaging indicates that this product shall not be treated as household waste. Instead it shall be handed over to the applicable collection point for the recycling of electrical and electronic equipment. By ensuring this product is disposed of correctly, you will help prevent potential negative consequences for the environment and human health, which could otherwise be caused by inappropriate waste handling of this product. The recycling of materials will help to conserve natural resources. For more detailed information about recycling of this product, please contact your local city office, your household waste disposal service or the shop where you purchased the product.

CAUTION

1. Handle this product with care

Avoid any shock or bumping of the product. Improper handling could damage the product.

2. Requires a proper operating environment

This product is designed for outdoor use.

4. Cleaning

Do not use aerosol cleaners.

5. Servicing

Do not attempt to service this product by yourself. Refer all service to qualified servicing personnel.

6. Retain Instructions

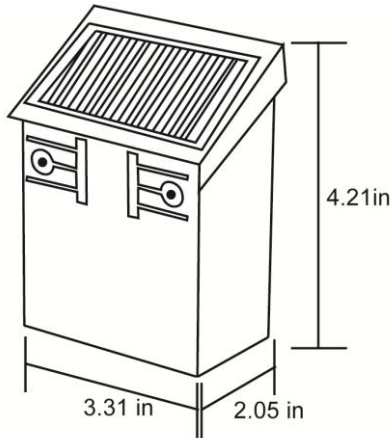
The safety and operating instructions should be retained for future reference.

PACKAGE CONTENTS

- One (1) Solar Powered Wireless Siren
- One (1) Pole Mounting U-Bracket
- Two (2) U-Bracket Screws
- Two (2) Remote Controls
- One (1) User Manual

For any returns, please include all components listed above with original packaging in **Resalable Condition**. **Absolutely No Returns** will be accepted if any component is missing/damaged.

DIMENSIONS



INSTALLATION

Use the attached accessories to fix the solar panel on the top of a pole.

Note: the solar panel should be in direct sunlight (not shadow area)

Insert the plug of the solar panel into the outlet of the box, and please confirm the system has been switched on.

Note: the plug of the solar panel must be inserted into the outlet of the box.

1. Power- ON

Unscrew and open the box. Unplug and remove the solar panel cover. Switch on the system and “bi, bi, bi, bi” will sound to indicate that the system is working.

2. Learning a Photobeam Sensor or Remote Controller

Press the “LEARN” key and hold it for at least 3 seconds. A beep tone will sound. When the “LEARN STATE” LED turns on, release the “LEARN” key. The **SWSIREN** unit is now in learning mode.

- a. To learn a **SWPB series** wireless photobeam sensor, press down tamper key of the beam receiver and hold it down. Then turn on the power switch to send RF signal. The **SWSIREN** will beep “di, di, di” to show the new sensor has successfully been learned into its memory. Repeat above steps to make another RF sending from learning next send.
- b. To learn a **SWSIREN** remote controller, press any key of the remote controller to send RF signal. The remote controller will beep “di, di, di” to show the new remote controller has successfully been learned into its memory.

After all devices have been learned, press and release the “LEARN” key to quit learning mode. “di,di,di” will sound and “LEARN STATE” LED will turn off.

Note:

- *Beep (di,di,di) for successfully learning a new device*
- *Beep (diiiiiii, diiiiiiii, diiiiiiii, diiiiiiii) for memory is full*
- *Up to eight (8) **SWPB series** photobeam sensors and 24 remote controllers can be learned into a **SWSIREN**.*

3. Corresponding Zones for Learned Sensors

The 1st learned sensor is in zone 1; the 2nd learned sensor is in zone 2; and so on. The 8th learned sensor is in zone 8.

4. Deleting Learned Devices

Press the “LEARN” key of the **SWSIREN** unit and hold it for up to 10 seconds. When it beeps “bibibibibibi”, release the “LEARN” key. Now all the memory is cleared.

5. Arming the System

Press the “LOCK” key on the remote controller. One beep tone will sound to indicate that the system is armed.

6. Disarming the System

Press the “UNLOCK” key on the remote controller. Two beeps will sound to indicate that the system is disarmed.

7. Starting an Emergency Alarm

Press the “(喇叭)” key on the remote controller. The system will start an emergency alarm. When the system is activated, it will start a 15 second alarming. Press “LOCK” key on the remote controller and this will stop the alarm and arm the system again. Press “UNLOCK” key on the remote controller to stop the alarming and disarm the system.

8. Knowing Which Zones Are Activated

When you press “UNLOCK” key on the remote controller to disarm the system, if only it beeps “bi, bi, bi”, that means the system has never been activated from the last time being armed. If it beeps “bibibibibi” before disarming tone “bi, bi”, that means the system has been activated and the “BAT LOW” will flash to tell you which zone had been activated: flashing one time for zone1, flashing 2 times for zone 2, ... etc.

9. Knowing the Battery State

When the voltage of the internal rechargeable battery is too low to work, one of the following will occur:

- a. “bibibibi” will sound when arming / disarming the system
- b. “bibibibibi” will sound when the system is activated
- c. All LEDs start flashing when “LEARN” key is pressed

The “BAT LOW” LED will keep flashing (one time for every 10 seconds) and the system will stop working until the battery is recharged by sunlight.

SPECIFICATION

Model	SWSIREN
RF Frequency	315MHz
RF Range	Up to 2000ft (clear line of sight)
Dimension	3.31”(W) x 4.21”(H) x 2.05”(D) 84mm(W) x 107mm(H) x 52mm(D)
Weight	7 oz / 198g

* Specifications are subject to change without notice

LIMITED WARRANTY

LIMITED ONE (1) YEAR WARRANTY AND EXCLUSIONS

Manufacturer warrants to the original consumer purchaser and not for the benefit of anyone else that this product at the time of its sale by Manufacturer is free of defects in materials and workmanship under normal and proper use for one (1) year from the purchase date.

Manufacturer's only obligation is to correct such defects by repair or replacement, at its option, if within such one (1) year period the product is returned prepaid, with proof of purchase date, and a description of the problem. This warrant excludes and there is disclaimed liability for labor for removal of this product or reinstallation. **This warranty is voided if this product is installed improperly or in an improper environment, overloaded, misused, opened, abused, or altered in any manner, or is not used under normal operating conditions or not in accordance with any labels or instructions. There are no other implied warranties of any kind, including merchantability and fitness or a particular purpose**, but if any implied warranty is required by the applicable jurisdiction, the duration of any such implied warrant, including merchantability and fitness of or a particular purpose, is limited to one (1) year. **Manufacturer is not liable for incidental, indirect, special, or consequential damages, including without limitation, damage to, or loss of use of, any equipment, loss sales or profits or delay or failure to perform this warranty obligation.** The remedies, provided therein are the exclusive remedies under this warranty, whether based on contract, tort or otherwise.