

Solar Powered Wireless Signal Repeater

RF Signal up to 2000ft in Clear Line of Sight

SWPREPT



FEATURES

- Extends solar beam signal up to 2000ft in clear line of sight
- No wires needed
- RF frequency: 315MHz



Please read the Manual before attempting to use this product.



CAUTION

RISK OF ELECTRIC SHOCK
DO NOT OPEN!



TO REDUCE THE RISK OF ELECTRICAL SHOCK,
DO NOT OPEN COVERS (OR BACK).
NO USER SERVICEABLE PARTS INSIDE.
REFER SERVICING TO QUALIFIED
SERVICE PERSONNEL.



Disposal of Old Electrical & Electronic Equipment (Applicable in the European Union and other European countries with separate collection systems).

This symbol on the product or on its packaging indicates that this product shall not be treated as household waste. Instead it shall be handed over to the applicable collection point for the recycling of electrical and electronic equipment. By ensuring this product is disposed of correctly, you will help prevent potential negative consequences for the environment and human health, which could otherwise be caused by inappropriate waste handling of this product. The recycling of materials will help to conserve natural resources. For more detailed information about recycling of this product, please contact your local city office, your household waste disposal service or the shop where you purchased the product.

CAUTION

1. Handle this product with care

Avoid any shock or bumping of the product. Improper handling could damage the product.

2. Requires a proper operating environment

This product is designed for outdoor use.

4. Cleaning

Do not use aerosol cleaners.

5. Servicing

Do not attempt to service this product by yourself. Refer all service to qualified servicing personnel.

6. Retain Instructions

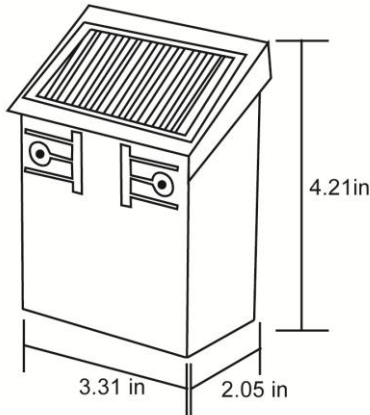
The safety and operating instructions should be retained for future reference.

PACKAGE CONTENTS

- One (1) Solar Powered Wireless Signal Repeater
- One (1) Pole Mounting U-Bracket
- Two (2) U-Bracket Screws
- One (1) User Manual

For any returns, please include all components listed above with original packaging in **Resalable Condition**. **Absolutely No Returns** will be accepted if any component is missing/damaged.

DIMENSIONS



PROGRAMMING AND OPERATION

1. Power-on

Unscrew and open the box, unplug and remove the solar panel cover, switch on the system, the "SENDING" LED will Flash 3 times, then the system is at working state.

2. Test

When the box receives the alarm signal from the SS-SWPB Series infrared bean sensor, it will resend the signal to 200ft away (in open area/ line of sight), and the "SENDING" LED is on when resending the signal.

3. Installation

- a. Use the attached accessories to fix the solar panel on the top of the pole.
Note: The solar panel should be in the direct sunlight (not shadow area).
- b. Please confirm the system had been switched on, and then screw the box to the solar panel. Now it can work automatically.

4. Battery Life

The built-in re-chargeable battery can support the system working in the night and raining days, it can work one month without sunlight.

5. The system has LOW-BAT protection function.

When the voltage of the internal rechargeable battery is too low to work, the "BATTERYLOW" LED will keep flashing (one time for every 10 seconds) and the system stop working, until the battery is recovered by sunlight charging.

SPECIFICATION

Model	SWPREPT
RF Frequency	315MHz
Signal Extension Range	Up to 2000ft (clear line of sight)
Dimension	3.31"(W) x 4.21"(H) x 2.05"(D) 84mm(W) x 107mm(H) x 52mm(D)
Weight	7 oz / 198g

* Specifications are subject to change without notice

LIMITED WARRANTY

LIMITED ONE (1) YEAR WARRANTY AND EXCLUSIONS

Manufacturer warrants to the original consumer purchaser and not for the benefit of anyone else that this product at the time of its sale by Manufacturer is free of defects in materials and workmanship under normal and proper use for one (1) year from the purchase date. Manufacturer's only obligation is to correct such defects by repair or replacement, at its option, if within such one (1) year period the product is returned prepaid, with proof of purchase date, and a description of the problem. This warrant excludes and there is disclaimed liability for labor for removal of this product or reinstallation. **This warranty is voided if this product is installed improperly or in an improper environment, overloaded, misused, opened, abused, or altered in any manner, or is not used under normal operating conditions or not in accordance with any labels or instructions. There are no other implied warranties of any kind, including merchantability and fitness or a particular purpose, but if any implied warranty is required by the applicable jurisdiction, the duration of any such implied warranty, including merchantability and fitness of or a particular purpose, is limited to one (1) year. Manufacturer is not liable for incidental, indirect, special, or consequential damages, including without limitation, damage to, or loss of use of, any equipment, loss sales or profits or delay or failure to perform this warranty obligation.** The remedies, provided therein are the exclusive remedies under this warranty, whether based on contract, tort or otherwise.