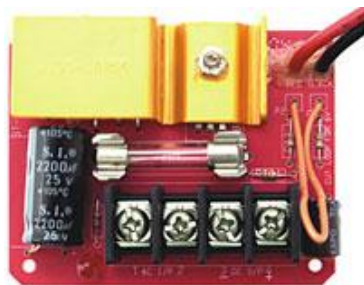


# Power Supply/Back-up Battery Charger

**MD-BPC612****MD-BPC61224**

**MD-BPC612**  
**16.5V AC, 1.5A**



**MD-BPC61224**  
**24V AC, 7A**

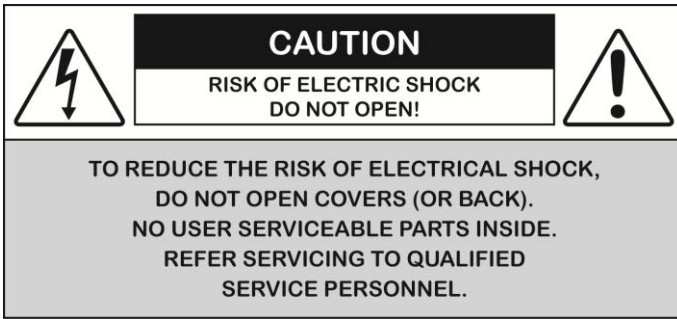
These power supplies/chargers ensure that alarm systems and access control systems always have enough power to do their job. Protected by fused output, input polarity protection diodes, and back-up battery polarity reverse protection, these power supplies/chargers can be used to maximize the security and efficiency of nearly any alarm or access control installation.

## FEATURES

- Convert low-voltage AC input power to low-voltage DC output power.
- Automatic recharging of back-up batteries.
- Several models to choose from.
- Programmable DC voltage output.
- Built-in battery short-circuit protection.
- Fused output for a regulated charge.
- Automatic switch-over to the backup battery if main power is lost or cut.
- LEDs indicate power status.
- Includes foam tape and battery leads for easy installation.
- Regulated and filtered output voltage.



Please read the Manual before attempting to use this product.



**Disposal of Old Electrical & Electronic Equipment (Applicable in the European Union and other European countries with separate collection systems).**

This symbol on the product or on its packaging indicates that this product shall not be treated as household waste. Instead it shall be handed over to the applicable collection point for the recycling of electrical and electronic equipment. By ensuring this product is disposed of correctly, you will help prevent potential negative consequences for the environment and human health, which could otherwise be caused by inappropriate waste handling of this product. The recycling of materials will help to conserve natural resources. For more detailed information about recycling of this product, please contact your local city office, your household waste disposal service or the shop where you purchased the product.

**CAUTION**

**1. Handle this product with care**

Avoid any shock or bumping of the product. Improper handling could damage the product.

**2. Requires a proper operating environment**

This product should be mounted within an enclosure.

**3. Check the power source voltage**

The power source voltage should be within the specified range. (Product must meet the specifications).

**4. Objects and liquid entry**

Never push objects of any kind into this product as this may touch dangerous voltage points of short out parts that could result in a fire or electric shock. Never spill any kind of liquid on the product.

**5. Servicing**

Do not attempt to service this product by yourself as opening or removing covers may expose you to dangerous voltage or other hazards. Refer all service to qualified servicing personnel.

## 6. Damage requiring service

Unplug this product from the power source and refer service to qualified servicing personnel under the following conditions:

- When the power supply cord or plug is damaged.
- If liquid has been spilled, or objects have fallen into the product.
- If the product has been exposed to rain or water.
- If the product has been dropped or the cabinet has been damaged.

## APPLICATION DIAGRAMS

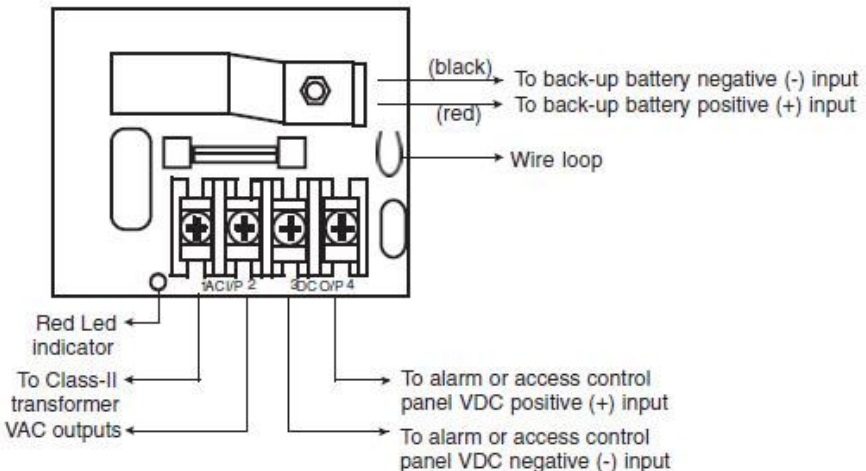
### WARNING:

Using a higher AC input than recommended may damage the unit.

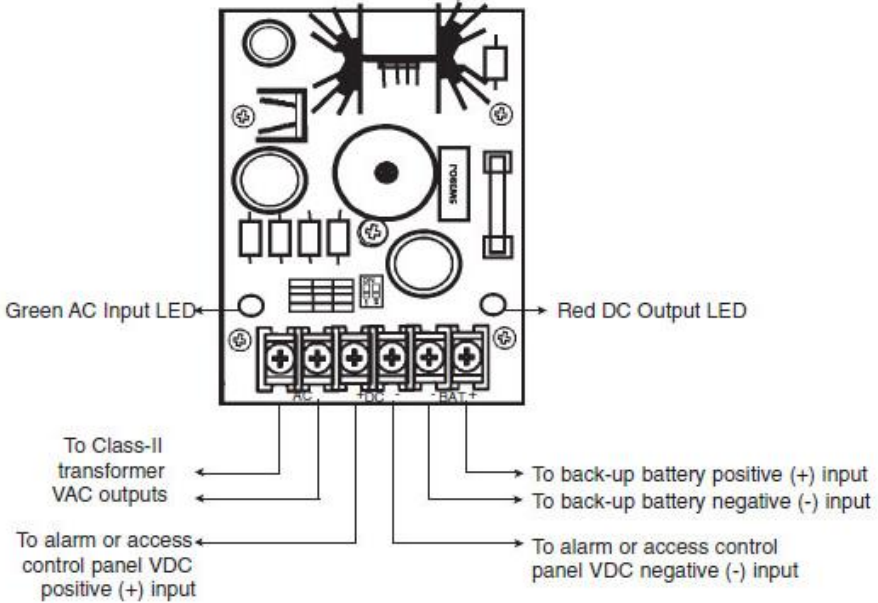
When a power supply/charger is used at its maximum load for an extended period of time, the heatsink portion of the power supply/charger will be very hot.

DO NOT USE METAL SPACERS TO MOUNT THE POWER SUPPLY'S PC BOARD.

### MD-BPC612



## MD-BPC61224



*NOTE: Before connecting any external devices, temporarily power up the unit and measure the DC output voltage to avoid damage to devices. Then disconnect power before connecting external devices.*

## FUSED OUTPUT

The **MD-BPC612** comes with a 3A fuse.  
The **MD-BPC61224** comes with a 10A fuse.

### **WARNING:**

Use only the correct fuses to prevent short circuits and damage to the power supplies/chargers or the equipment connected to it.

Connect these power supplies/chargers only to a rechargeable back-up battery. Use of a non-rechargeable back-up battery could result in damage to the power supplies/chargers or the alarm access control panel, as well as leakage or explosion of the battery.

## INSTALLATION

1. Mount the PC board in the desired location or enclosure. It should be easily accessible for future servicing.
2. Set DC Power Output:
  - a. **MD-BPC612**, 12V DC
    - i. For 12V DC, leave the wire loop uncut
    - ii. Connect to a 16.5V AC 40VA transformer
  - b. **MD-BPC612**, 6V DC
    - i. For 6V DC - Cut the wire loop
    - ii. INSULTATE THE CUT WIRE LEADS so that they do not come in contact with the power supplies/charger, the enclosure or each other.
    - iii. Connect to a 12VAC/20VA transformer.
  - c. **MD-BPC61224**, 6V/12V/24V DC
    - i. Set the desired output using the DIP switches (see DIP switch voltage table below)
    - ii. For 6V or 12V, connect a 24-28V AC 180VA transformer  
For 24V, connect a 24-28V AC 210VA transformer

Voltage	SW1	SW2
6V DC	ON	OFF
12V DC	OFF	OFF
24V DC	OFF	ON

## LED STATUS LIGHTS

### MD-BPC612

Red LED ON – AC input power connected

Red LED OFF – AC input disconnected or out

### MD-BPC61224

Green LED ON/Red LED ON – Normal

Green LED OFF/Red LED ON – No AC input

Green LED ON/Red LED OFF – No DC output

Green LED OFF/Red LED OFF – No AC input or DC output

## SPECIFICATIONS

Model	MD-BPC612	MD-BPC61224
DC Voltage	6V DC / 12V DC	6V DC / 12V DC / 24V DC
Current (Continuous)	1.5A	7.0A
Current (Peak)	2.0A	7.5A
Current Output (Max Change)	6V DC = 200mA 12V DC = 400mA	6V DC = 180mA 12V DC = 350mA 24V DC = 700mA
Dimension	2.875 x 2.25 x 1 inches 73 x 57 x 25 mm	5.5 x 5.125 x 2.17 inches 140 x 130 x 55 mm

\* Specifications are subject to change without notice

## LIMITED WARRANTY

### LIMITED ONE (1) YEAR WARRANTY AND EXCLUSIONS

Manufacturer warrants to the original consumer purchaser and not for the benefit of anyone else that this product at the time of its sale by Manufacturer is free of defects in materials and workmanship under normal and proper use for one (1) year from the purchase date. Manufacturer's only obligation is to correct such defects by repair or replacement, at its option, if within such one (1) year period the product is returned prepaid, with proof of purchase date, and a description of the problem. This warrant excludes and there is disclaimed liability for labor for removal of this product or reinstallation. **This warranty is void if this product is installed improperly or in an improper environment, overloaded, misused, opened, abused, or altered in any manner, or is not used under normal operating conditions or not in accordance with any labels or instructions. There are no other implied warranties of any kind, including merchantability and fitness or a particular purpose, but if any implied warranty is required by the applicable jurisdiction, the duration of any such implied warranty, including merchantability and fitness of or a particular purpose, is limited to one (1) year. Manufacturer is not liable for incidental, indirect, special, or consequential damages, including without limitation, damage to, or loss of use of, any equipment, loss sales or profits or delay or failure to perform this warranty obligation.** The remedies, provided therein are the exclusive remedies under this warranty, whether based on contract, tort or otherwise.

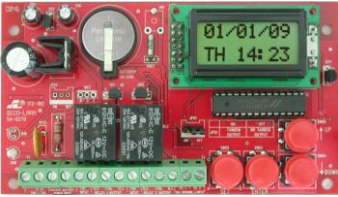
## RELATED PRODUCTS

### Timer Relay Module MD-TR



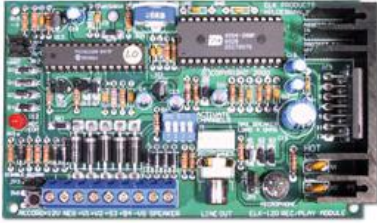
## 365 Days Schedule Timer

### MD-T365



## 4 Channel Recordable Siren & Voice Annunciator Module

### MD-SVOICE4



## 8 Channel Recordable Voice Annunciator Module

### MD-VOICE8



## High Voltage Relay

### MD-HVR

