

# High Voltage Relay

## MD-HVR

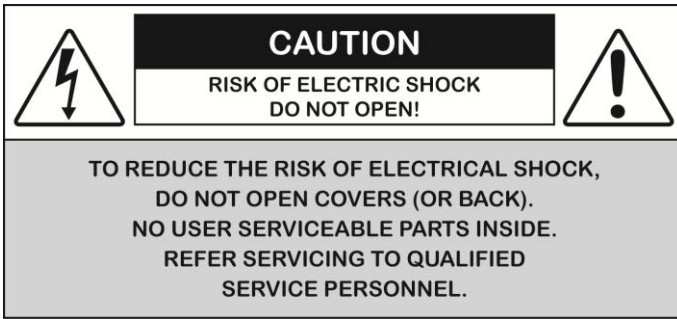


### FEATURES

- Two separate sets of Form-C dry contacts.
- Perfect for a variety of general switching purposes.
- Can be connected for load switching, dry contact, latching output, reverse polarity, line seizure, and other uses.
- 6/12/24V DC operation, programmable by on-board jumpers. (12V DC by default)
- Red LED indicates relay is energized.
- Large terminal blocks for easy installation.
- Small size, easily fits inside alarm panel enclosures or other hidden areas.
- Foam mounting tape included.



Please read the Manual before attempting to use this product.



**Disposal of Old Electrical & Electronic Equipment (Applicable in the European Union and other European countries with separate collection systems).**

This symbol on the product or on its packaging indicates that this product shall not be treated as household waste. Instead it shall be handed over to the applicable collection point for the recycling of electrical and electronic equipment. By ensuring this product is disposed of correctly, you will help prevent potential negative consequences for the environment and human health, which could otherwise be caused by inappropriate waste handling of this product. The recycling of materials will help to conserve natural resources. For more detailed information about recycling of this product, please contact your local city office, your household waste disposal service or the shop where you purchased the product.

**CAUTION**

**1. Handle this product with care**

Avoid any shock or bumping of the product. Improper handling could damage the product.

**2. Requires a proper operating environment**

This product should be mounted within an enclosure.

**3. Check the power source voltage**

The power source voltage should be within the specified range. (Product must meet the specifications).

**4. Objects and liquid entry**

Never push objects of any kind into this product as this may touch dangerous voltage points of short out parts that could result in a fire or electric shock. Never spill any kind of liquid on the product.

**5. Servicing**

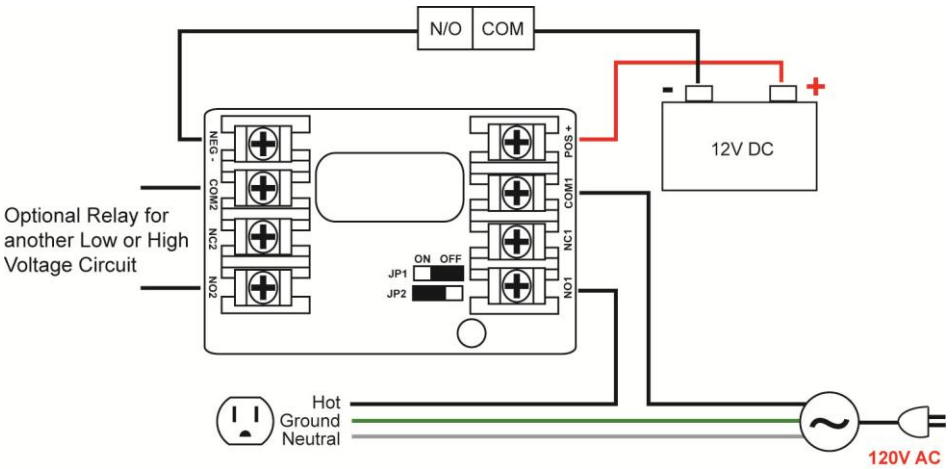
Do not attempt to service this product by yourself as opening or removing covers may expose you to dangerous voltage or other hazards. Refer all service to qualified servicing personnel.

## 6. Damage requiring service

Unplug this product from the power source and refer service to qualified servicing personnel under the following conditions:

- When the power supply cord or plug is damaged.
- If liquid has been spilled, or objects have fallen into the product.
- If the product has been exposed to rain or water.
- If the product has been dropped or the cabinet has been damaged.

## APPLICATION DIAGRAM



## SPECIFICATIONS

Model	MD-HVR
Relay Type	DPDT, Form-C dry contacts
Relay Contact Ratings	5A @ 250V AC / 30V DC
Supply Voltage	Programmable 6/12/24V DC, preset @ 12V DC
Current Draw	70mA when relay is active
Minimum Pull Voltage	+/- 20% of operating voltage
Dimension	2.48" x 1.89" x 0.83" / 63 x 48 x 21mm
Weight	1.94 oz / 55g

\* Specifications are subject to change without notice

## LIMITED WARRANTY

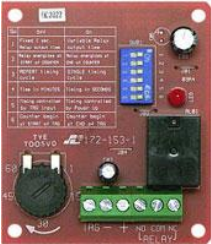
### LIMITED ONE (1) YEAR WARRANTY AND EXCLUSIONS

Manufacturer warrants to the original consumer purchaser and not for the benefit of anyone else that this product at the time of its sale by Manufacturer is free of defects in materials and workmanship under normal and proper use for one (1) year from the purchase date.

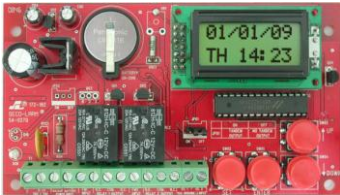
Manufacturer's only obligation is to correct such defects by repair or replacement, at its option, if within such one (1) year period the product is returned prepaid, with proof of purchase date, and a description of the problem. This warrant excludes and there is disclaimed liability for labor for removal of this product or reinstallation. This warranty is void if this product is installed improperly or in an improper environment, overloaded, misused, opened, abused, or altered in any manner, or is not used under normal operating conditions or not in accordance with any labels or instructions. **There are no other implied warranties of any kind, including merchantability and fitness or a particular purpose**, but if any implied warranty is required by the applicable jurisdiction, the duration of any such implied warrant, including merchantability and fitness of or a particular purpose, is limited to one (1) year. **Manufacturer is not liable for incidental, indirect, special, or consequential damages, including without limitation, damage to, or loss of use of, any equipment, loss sales or profits or delay or failure to perform this warranty obligation.** The remedies, provided therein are the exclusive remedies under this warranty, whether based on contract, tort or otherwise.

## RELATED PRODUCTS

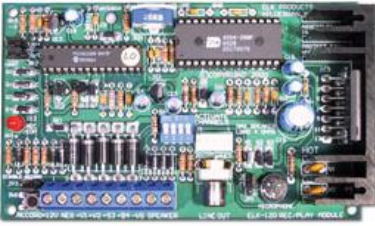
### Timer Relay Module MD-TR



### 365 Days Schedule Timer MD-T365



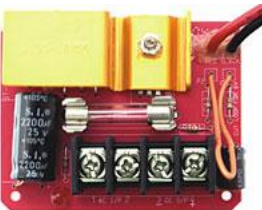
**4 Channel Recordable Siren & Voice Annunciator Module  
MD-SVOICE4**



**8 Channel Recordable Voice Annunciator Module  
MD-VOICE8**



**16.5V AC 1.5A Battery Power Charger  
MD-BPC612**



**24V AC 7A Battery Power Charger  
MD-BPC61224**

